

# Vacuum cleaner

User's manual

EN



**SENCOR®**

SVC 7CA-NAA1-09 / SVC 7CA-NAA1-10  
SVC 7CA-NAA1-11 / SVC 7XX-NAA1-YY

Before first use, please read all instructions contained in this user's manual carefully, even if you are already familiar with using similar products. Only use this product in accordance with the instructions described in the user's manual. Keep the user's manual in a safe place where it can be easily retrieved for future use.

# Vacuum cleaner

SVC 7CA-NAA1-09 / SVC 7CA-NAA1-10 / SVC 7CA-NAA1-11 / SVC 7XX-NAA1-YY

## CONTENTS

IMPORTANT SAFEGUARDS . . . . .	3
DESCRIPTION . . . . .	4
ASSEMBLY . . . . .	5
USING YOUR VACUUM CLEANER . . . . .	5
USING YOUR ACCESSORIES . . . . .	6
STORING THE VACUUM CLEANER . . . . .	7
CLEANING AND MAINTENANCE . . . . .	7
TROUBLESHOOTING: . . . . .	9
TECHNICAL SPECIFICATIONS . . . . .	9

# Vacuum cleaner

SVC 7CA-NAA1-09 / SVC 7CA-NAA1-10 / SVC 7CA-NAA1-11 / SVC 7XX-NAA1-YY

EN

## IMPORTANT SAFEGUARDS

**READ ALL INSTRUCTIONS BEFORE USING THIS VACUUM CLEANER.**



### WARNING

To reduce the risk of fire, electric shock, or injury:

- Do not use outdoors or on wet surfaces.
- Do not leave vacuum cleaner when plugged in. Turn off the switch and unplug the electrical cord when not in use and before servicing.
- Do not allow it to be used as a toy. Close attention must be paid when used by or near children.
- Use only as described in this manual. Use only manufacturer-recommended attachments.
- Do not use with damaged cord or plug. If the vacuum cleaner is not working as it should, has been dropped, damaged, left outdoors, or dropped into water, take it to a service center to be checked before using.
- Do not pull or carry by the cord, use the cord as a handle, close a door on the cord or pull the cord around sharp edges or corners. Do not run the vacuum cleaner over the cord. Keep the cord away from heated surfaces.
- Do not use extension cords or outlets with inadequate current carrying capacity.
- Turn off all controls before unplugging.
- Do not unplug by pulling on the cord. To unplug, grasp the plug, not the cord.
- Do not handle the plug or vacuum cleaner with wet hands.
- Do not put any object into openings. Do not use with any opening blocked; keep free of dust, lint, hair, and anything that may reduce airflow.
- This vacuum cleaner creates suction. Keep hair, loose clothing, fingers, and all parts of the body away from openings and moving parts.
- Do not pick up anything that is burning or smoking such as cigarettes, matches, or hot ashes.
- Do not use without the dust bag or filter(s) in place.
- Belt pulleys can become hot during normal use. To prevent burns, avoid touching the belt pulley when servicing the drive belt. Allow it to cool.
- Use extra care when cleaning on stairs.
- Do not use to pick up flammable or combustible liquids such as gasoline, or use in areas where they may be present.
- Store your vacuum cleaner indoors in a cool, dry area.
- Keep your work area well illuminated.
- Unplug electrical appliances before vacuuming them.
- Always turn off this appliance before connecting or disconnecting either hose, wand or motorized nozzle
- Hold the plug when rewinding onto cord reel. Do not allow the plug to whip when rewinding.
- The hose contains electrical wires.
- Do not use with damaged cord or plug. Avoid picking up sharp objects.
- The brushroll could suddenly restart. Unplug before servicing.
- Use only manufacturer-recommended attachments
- Do not use with any opening blocked, keep free of dust, lint, hair and anything that may reduce airflow

## SAVE THESE INSTRUCTIONS FOR HOUSEHOLD USE ONLY

To reduce the risk of electric shock, this appliance has a polarized plug (one blade is wider than the other). This plug will fit into a polarized outlet only one way. If the plug does not fit fully into the outlet, reverse the plug. If it still does not fit, contact a qualified electrician to install the proper outlet. Do not change the plug in any way.

### Thermal Cut Off

This vacuum cleaner has a special thermostat that protects it in case of motor overheating. If the cleaner suddenly shuts off, push the on/off switch off (O) and unplug the cleaner. Check the cleaner for a possible source of overheating such as a full dust bag, a blocked hose or clogged filter. If these conditions are found, fix them and wait at least 30 minutes before attempting to use the cleaner. After the 30 minute period, plug the cleaner back in and push the on/off switch on (I). If the cleaner still does not run, take it to an Authorized Service Center for repair.

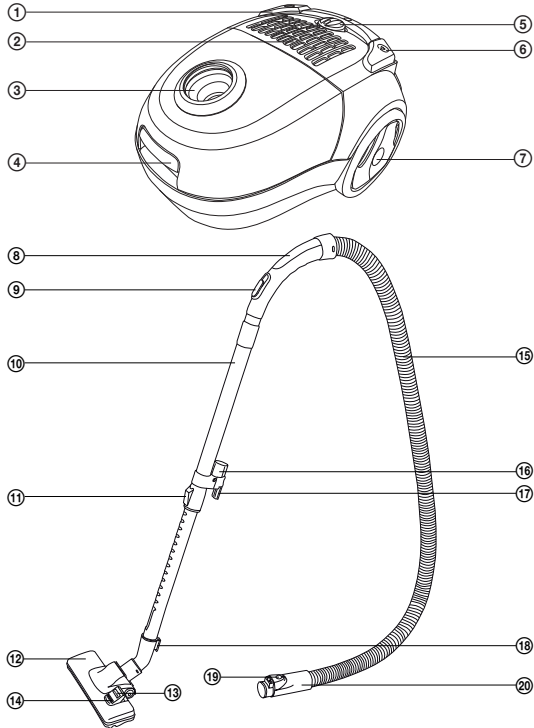
# Vacuum cleaner

SVC 7CA-NAA1-09 / SVC 7CA-NAA1-10 / SVC 7CA-NAA1-11 / SVC 7XX-NAA1-YY

## DESCRIPTION

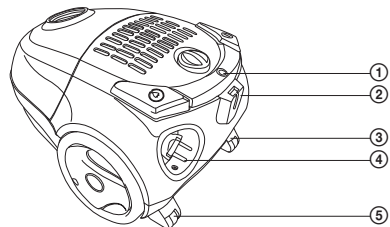
### A

- ① START/STOP button
- ② Cover of the outflow H.E.P.A. filter
- ③ Vacuum hose connection hole
- ④ Lid clip
- ⑤ Motor power output control
- ⑥ START/STOP button
- ⑦ Rubber wheel
- ⑧ Handle
- ⑨ Sliding knob for air suction
- ⑩ Telescopic tube
- ⑪ Clip for the telescopic tube
- ⑫ Floor inlet nozzle
- ⑬ Flap position for vacuuming carpets
- ⑭ Flap position for vacuuming hard (smooth) floors
- ⑮ Hose
- ⑯ Accessory holder
- ⑰ Stopper for the vertical parking position
- ⑱ Stopper for the horizontal parking position
- ⑲ Clip
- ⑳ Hose end



### B

- ① Full dust bag indicator
- ② Horizontal parking position
- ③ Stabilizing travel wheel
- ④ Power cord
- ⑤ Stabilizing travel wheel



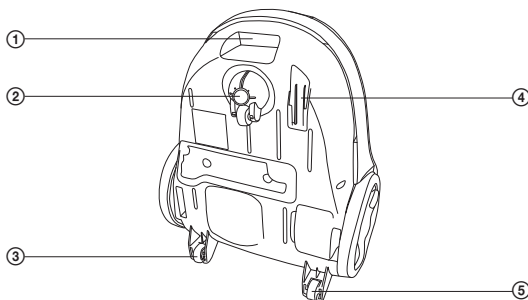
# Vacuum cleaner

SVC 7CA-NAA1-09 / SVC 7CA-NAA1-10 / SVC 7CA-NAA1-11 / SVC 7XX-NAA1-YY

EN

C

- ① Carrying handle
- ② Front wheel mechanism
- ③ Stabilizing travel wheel
- ④ Vertical parking position
- ⑤ Stabilizing travel wheel



## ASSEMBLY

### Inserting the hose into the air suction hole on the vacuum cleaner:

Press both the safety buttons on the end of the hose end and insert the hose end into the air suction opening on the vacuum cleaner until you hear a "click". The hose is now secured in the correct position.

### Attach the holder to the telescopic tube:

Make sure to place the holder with the hose on the wider part of the telescopic tube.

### Attach the floor inlet nozzle to the telescopic tube:

Make sure the floor nozzle is attached to the narrower part of the telescopic tube.

### Adjust the length of the telescopic tube:

Adjust the length of the telescopic tube as follows: Move and hold the button on the tube forward as shown by the arrows and adjust the length of the tube as required. Release the button and move the tube slightly forward until you hear a "click". The telescopic tube is now securely fixed in position.

## USING YOUR VACUUM CLEANER

### Connecting your vacuum cleaner to the electrical power grid

Pull the plug attached to the power cord out from the vacuum cleaner until the desired length of the cord is out of the product. Insert the plug into the socket.



#### Caution:

The yellow marking on the power cord warns that the power cord is close to its end. Never pull the cord farther out than the red marking.

### Adjusting the floor inlet nozzle according to the floor surface

You may set the inlet nozzle according to the floor surface by adjusting the inlet flap:

- If you want to vacuum carpets, close the bristles of the inlet inside the inlet nozzle, by turning the flap accordingly.
- If you want to vacuum hard and smooth surfaces, move the bristles out of the nozzle, by turning the flap accordingly.

# Vacuum cleaner

SVC 7CA-NAA1-09 / SVC 7CA-NAA1-10 / SVC 7CA-NAA1-11 / SVC 7XX-NAA1-YY

## Switching your vacuum cleaner on and off

To switch your machine on or off, press the START / STOP button on the vacuum cleaner body.

## Adjusting the suction strength

The suction strength may be adjusted by moving the rider on the vacuum cleaner body (small range) or by the movable rider on the hose handler.



### Tips

- Use the maximum suction strength when vacuuming carpets or floors with a hard surface. Use the reduced strength when vacuuming upholstery, window curtains, etc.
- If the hose holder becomes blocked when vacuuming, disconnect it from the telescopic tube and also disconnect the hose from the vacuum cleaner body. Then place the holder inside the suction hole on the vacuum cleaner body and vacuum the stuck dirt out.

## Temporary interruption of the vacuuming process

If you want to stop vacuuming for a short time, you may use one of the parking positions:

- for the horizontal parking position, use the stopper at the end of the floor nozzle,
- for the vertical parking position use, the stopper on the telescopic tube.



### Note:

Do not move the vacuum cleaner from place to place if the hose is in the parked position! It may break off or the lugs for the floor nozzle or telescopic tube may break off.

## USING YOUR ACCESSORIES

### D

- ① Slot nozzle for vacuuming in hard to reach places (e.g. windows, corners, book shelves, areas between mattresses, upholstery, etc.)
- ② Upholstery nozzle
- ③ Brush nozzle (by turning the brush part, you can use it for vacuuming hard to reach places)

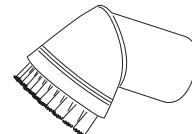
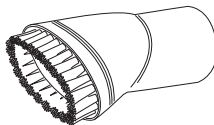
①



②



③



### Tip:

If during vacuuming, you use an accessory very often, you may attach it to the special holder on the telescopic tube.

# Vacuum cleaner

SVC 7CA-NAA1-09 / SVC 7CA-NAA1-10 / SVC 7CA-NAA1-11 / SVC 7XX-NAA1-YY

EN

## Ending the vacuuming process

When you finish vacuuming, switch the vacuum cleaner off by pressing the START / STOP button and then disconnect the power plug from the socket.

To wind the power cord back to the vacuum cleaner, press and hold the winding button with one hand. Hold the cord with your other hand to protect the vacuum cleaner input area from damage.



### Tip:

If the winding process stops and part of the power cord is still outside, release the winding button and pull the cord out again by about 50 cm and press the winding button again and repeat the winding process.

## Carrying your vacuum cleaner

It is possible to hold and carry the vacuum by the handle.

## STORING THE VACUUM CLEANER

Before storage, you can disassemble your product to each individual part or you can store it assembled with the telescopic tube stored in one of the parking positions.

## CLEANING AND MAINTENANCE

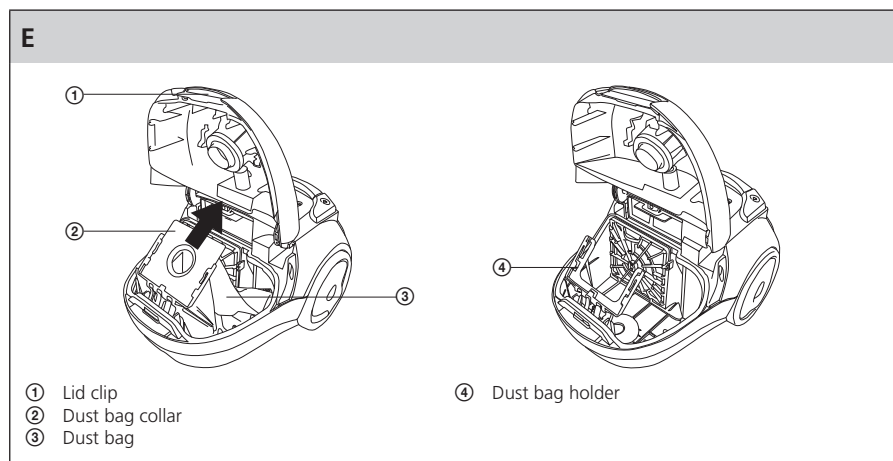


### Caution:

Before cleaning, disconnect this product from the power source.

## Changing the dust bag

Replace the dust bag as soon as the full dust bag warning light comes on; otherwise, the air flow and the suction strength will be reduced.



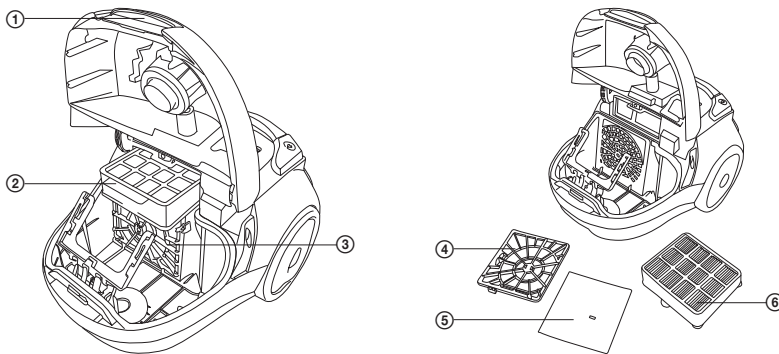
# Vacuum cleaner

SVC 7CA-NAA1-09 / SVC 7CA-NAA1-10 / SVC 7CA-NAA1-11 / SVC 7XX-NAA1-YY

- 1) Open the vacuum cleaner filter area by pressing the clip while simultaneously pulling it upwards.
- 2) Remove it from the plastic holder and insert a new bag by pulling on the collar of the dust bag in the direction of the arrow.
- 3) Close the lid of the vacuum cleaner until you hear a click.

## Changing and cleaning the outflow H.E.P.A. filter and the inflow micro-filter

F



- ① Lid clip
- ② Outflow H.E.P.A. filter
- ③ Grill of the inflow micro-filter

- ④ Grill of the inflow micro-filter
- ⑤ Inflow micro-filter
- ⑥ Outflow H.E.P.A. filter

- 1) Open the vacuum cleaner filter area by pressing the clip while simultaneously pulling it upwards.
- 2) Remove it from the plastic holder by pulling on the collar of the dust bag in the direction of the arrow in order to make room for filter removal.
- 3) Pull the inflow micro-filter grill towards yourself and take it out.
- 4) Pull to remove the outflow H.E.P.A. filter and take it out.
- 5) If the filters are not very dirty, you can wash both of them under lukewarm running water. If they are very dirty, replace them with new ones.
- 6) Place the outflow H.E.P.A. filter and the inflow micro-filter back into their respective positions.
- 7) Return the dust bag.
- 8) Close the lid of the vacuum cleaner until you hear a click.



### Note:

Never insert the filters back into the vacuum cleaner if they are still wet or damp! Always wait until they are thoroughly dry.

## Cleaning your vacuum cleaner

To clean the outside parts of the product, use a fine cloth dipped in lukewarm water. Do not use aggressive cleaning agents, paint thinners or solvents. Using these solutions could damage the surface of the product.



# Vacuum cleaner

SVC 7CA-NAA1-09 / SVC 7CA-NAA1-10 / SVC 7CA-NAA1-11 / SVC 7XX-NAA1-YY

EN

## TROUBLESHOOTING:

Before you decide to contact an authorized service center, please read these following tips in the troubleshooting chart:

Problem	Possible cause	Recommended action
The motor will not start	<ul style="list-style-type: none"><li>- The power cord is not firmly inserted in the socket</li><li>- The wall power outlet is damaged</li><li>- The vacuum cleaner is not switched on</li></ul>	<ul style="list-style-type: none"><li>- Insert the plug firmly into the power outlet</li><li>- Inspect the power outlet</li><li>- Switch the product on</li></ul>
Low suction output	<ul style="list-style-type: none"><li>- The product is clogged</li><li>- The dust filter needs cleaning</li><li>- The filter is clogged</li></ul>	<ul style="list-style-type: none"><li>- Remove the blockage or foreign object</li><li>- Clean the dust filter</li><li>- Clean the filter</li></ul>
The power cord is not wound in completely	The power cord may have slipped off of the winding pulley during winding.	Hold the power cord during the winding. Apply slight tension (by pulling the power cord back) to the power cord during the winding process
The power cord cannot be pulled out	The power cord is wound up incorrectly	Press the winding button and try to rewind the power cord
The speed control is not working	The product is broken down	Have the product repaired by a technician. (only by a qualified technician)
The power cord starts to wind in when you not required to do so.	The winding mechanism has malfunctioned	Have the product repaired by a technician. (only by a qualified technician)

## TECHNICAL SPECIFICATIONS

Rated voltage ..... 120V AC  
Rated frequency..... 60 Hz  
Suction power ..... 200W (SVC 7CA-NAA1-09), 240W (SVC 7CA-NAA1-10), 280W (SVC 7CA-NAA1-11)  
Rated current .....9 amps (SVC 7CA-NAA1-09), 10 amps (SVC 7CA-NAA1-10), 11 amps (SVC 7CA-NAA1-11)  
Power cord length .....6 m/236.2 in  
Operational range..... 8.5 m/334.6 in  
Dust bag capacity ..... 2.5l  
Dimensions (length x width x height) ..... 390 x 315 x 245 mm/22.43 x 12.29 x 13.65 in  
Weight ..... 10.6 kg/18.3 lb

Amendments to text and technical parameters are reserved.



# Aspirateur

Manuel Utilisateur

FR



**SENCOR®**

SVC 7CA-NAA1-09 / SVC 7CA-NAA1-10  
SVC 7CA-NAA1-11 / SVC 7XX-NAA1-YY

Avant d'utiliser l'appareil pour la première fois, lisez consciencieusement toutes les instructions contenues dans ce manuel utilisateur, même si vous êtes déjà familiarisé à l'utilisation de produits similaires. N'utilisez ce produit que conformément aux instructions décrites dans le manuel utilisateur. Conservez le manuel utilisateur dans un endroit sûr afin de pouvoir facilement le retrouver dans le futur.

FR-1

## TABLE DES MATIÈRES

MESURES DE SÉCURITÉ IMPORTANTES.....	3
DESCRIPTIF .....	4
MONTAGE .....	5
UTILISER VOTRE ASPIRATEUR .....	6
UTILISER VOS ACCESSOIRES .....	7
RANGEMENT DE L'ASPIRATEUR.....	7
NETTOYAGE ET ENTRETIEN .....	7
DÉPANNAGE .....	9
CARACTERISTIQUES TECHNIQUES .....	10

## MESURES DE SÉCURITÉ IMPORTANTES

### LISEZ TOUTES LES INSTRUCTIONS AVANT D'UTILISER CET ASPIRATEUR



#### AVERTISSEMENT

Afin de réduire les risques d'incendie, de choc électrique ou de blessure :

- N'utilisez pas l'appareil à l'extérieur ou sur des surfaces mouillées.
- Ne laissez pas l'aspirateur sans surveillance lorsqu'il est branché. Coupez l'interrupteur et débranchez le cordon électrique lorsqu'il n'est pas utilisé et avant son entretien.
- Ne laissez personne s'en servir comme d'un jouet. Soyez particulièrement vigilant lorsque l'appareil est utilisé près d'enfants.
- Ne l'utilisez que de la façon décrite dans ce manuel. N'utilisez que des accessoires recommandés par le fabricant.
- N'utilisez pas l'appareil si son cordon ou sa prise électriques sont endommagés. Si l'aspirateur ne fonctionne pas comme il le devrait, s'il a chuté, s'il a été endommagé, laissé à l'extérieur ou s'il est tombé dans l'eau, emmenez-le dans un centre de réparation pour qu'il soit contrôlé avant sa réutilisation.
- Ne tirez, ni ne portez pas l'appareil par son cordon, n'utilisez pas le cordon comme poignée, ne fermez aucune porte sur le cordon et ne faites pas courir ce dernier sur des bords ou des coins tranchants. Ne faites pas rouler l'aspirateur sur le cordon. Éloignez le cordon des surfaces chaudes.
- N'utilisez pas de rallonges ou de prises électriques dont la capacité électrique n'est pas appropriée.
- Éteignez tous les éléments de commande avant de débrancher l'appareil.
- Ne débranchez pas l'appareil en tirant sur le cordon. Pour débrancher l'appareil, attrapez la prise et non le cordon.
- Ne manipulez pas la prise ou l'aspirateur si vos mains sont mouillées.
- Ne placez aucun objet dans les ouvertures. N'utilisez pas l'appareil si ses ouvertures sont obstruées ; maintenez-les exemptes de poussières, peluches, cheveux et de tout ce qui pourrait réduire la circulation de l'air.
- Cet aspirateur crée une aspiration. Éloignez vos cheveux, vêtements amples, doigts ainsi que toutes les parties de votre corps des ouvertures et des pièces mobiles.
- N'aspirez rien qui brûle ou qui fume comme des cigarettes, des allumettes ou des cendres chaudes par exemple.
- N'utilisez pas l'appareil sans que son sac à poussières ou son/ses filtre(s) ne soient en place.
- Les poulies de la courroie deviennent chaudes pendant une utilisation normale. Afin d'éviter les brûlures, évitez d'entrer en contact avec la poulie de courroie pendant l'entretien de cette dernière. Laissez-la refroidir.
- Soyez particulièrement vigilant lorsque vous aspirez des escaliers.
- N'utilisez pas l'appareil pour aspirer des liquides inflammables ou combustibles comme de l'essence par exemple et ne l'utilisez pas dans des zones qui pourraient en contenir.
- Rangez votre aspirateur à l'intérieur, dans un endroit frais et sec.
- Éclairez correctement votre zone de travail.
- Débranchez les appareils électriques avant de les aspirer.
- Éteignez toujours l'appareil avant de raccorder ou de débrancher le tuyau, le manchon ou l'embout motorisé
- Tenez la prise pendant le rembobinage du cordon. Ne laissez pas la prise fouetter pendant le rembobinage.
- Le tuyau contient des fils électriques.
- N'utilisez pas l'appareil si son cordon ou sa prise électriques sont endommagés. Évitez d'aspirer des objets pointus.
- Le rouleau de la brosse pourrait soudainement redémarrer. Débranchez l'appareil avant son entretien.
- N'utilisez que des accessoires recommandés par le fabricant
- N'utilisez pas l'appareil si ses ouvertures sont obstruées ; maintenez-les exemptes de poussières, peluches, cheveux et de tout ce qui pourrait réduire la circulation de l'air.

# Aspirateur

SVC 7CA-NAA1-09 / SVC 7CA-NAA1-10 / SVC 7CA-NAA1-11 / SVC 7XX-NAA1-YY

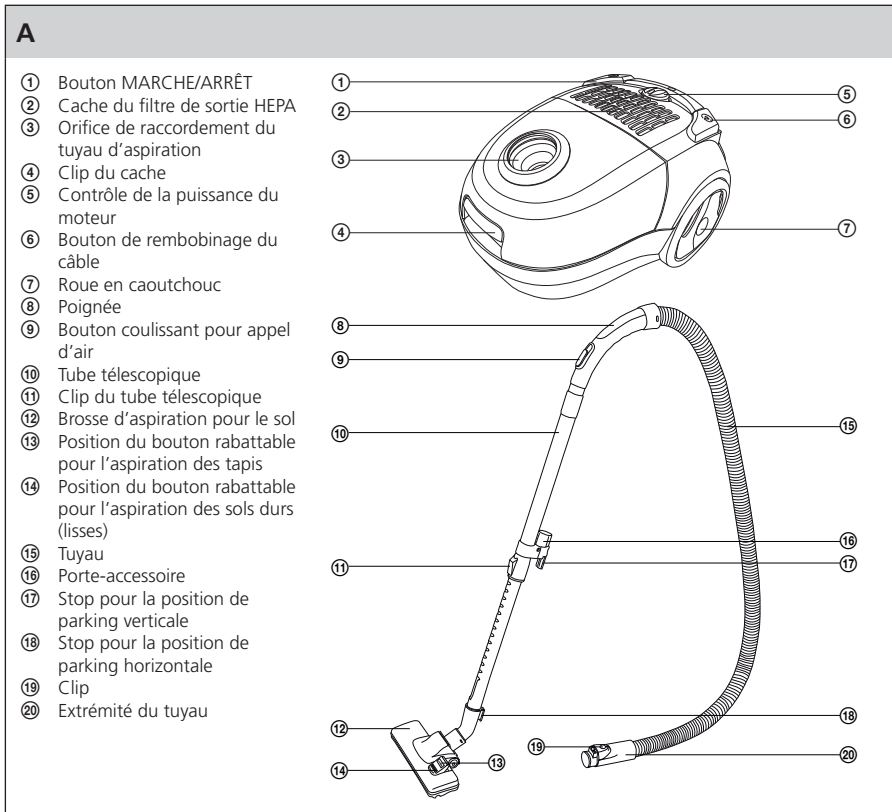
## CONSERVEZ CES INSTRUCTIONS POUR UN USAGE DOMESTIQUES UNIQUEMENT

Afin de réduire le risque de choc électrique, cet appareil dispose d'une prise polarisée (une fiche est plus large que l'autre). Cette prise ne peut être branchée que dans un sens. Si la prise n'entre pas complètement dans la prise murale, retournez-la. Si elle n'entre toujours pas complètement, contactez un électricien qualifié pour qu'il vous installe une prise murale adéquate. En aucune façon vous ne devez modifier la prise.

### Coupeure thermique

Cet aspirateur dispose d'un thermostat particulier qui le protège en cas de surchauffe du moteur. Si l'aspirateur s'éteint soudainement, appuyez sur l'interrupteur Marche/Arrêt (0) et débranchez-le. Vérifiez la cause possible d'une surchauffe (sac plein, tuyau bouché ou filtre sale). Le cas échéant, corrigez les anomalies et patientez 30 minutes avant de réutiliser l'aspirateur. Après 30 minutes, rebranchez l'aspirateur et appuyez sur l'interrupteur Marche/Arrêt (I). Si l'aspirateur ne redémarre toujours pas, emmenez-le dans un centre d'assistance agréé pour le faire réparer.

## DESCRIPTIF



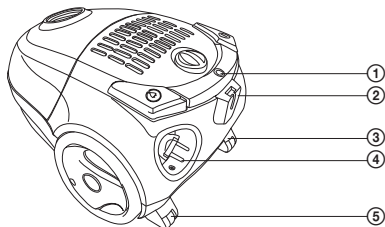
# Aspirateur

SVC 7CA-NAA1-09 / SVC 7CA-NAA1-10 / SVC 7CA-NAA1-11 / SVC 7XX-NAA1-YY

FR

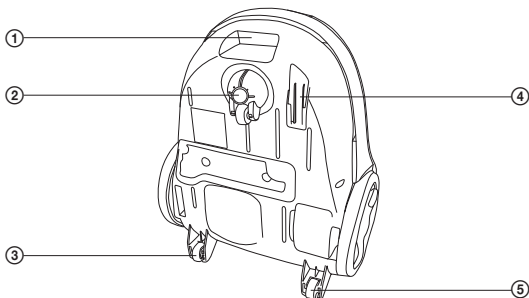
## B

- ① Indicateur sac à poussières plein
- ② Position de parking horizontale
- ③ Roue stabilisée
- ④ Cordon électrique
- ⑤ Roue stabilisée



## C

- ① Poignée de transport
- ② Mécanisme roue avant
- ③ Roue stabilisée
- ④ Position de parking verticale
- ⑤ Roue stabilisée



## MONTAGE

### Insérer le tuyau dans l'orifice d'entrée d'air de l'aspirateur :

Appuyez sur les boutons de sécurité à l'extrémité du tuyau et insérez le tuyau dans l'orifice d'entrée d'air de l'aspirateur jusqu'au « clic ». Le tuyau est maintenant fixé dans la bonne position.

### Fixer le support du tube télescopique :

Assurez-vous de positionner le support avec le tuyau sur la partie la plus large du tube télescopique.

### Fixer la brosse d'aspiration pour le sol sur le tube télescopique :

Assurez-vous de fixer la brosse sur la partie la plus étroite du tube télescopique.

### Régler la longueur du tube télescopique :

Réglez la longueur du tube télescopique comme suit : Déplacez et maintenez enfoncé le bouton sur le tube comme indiqué par les flèches et réglez la longueur du tube comme vous le souhaitez. Relâchez le bouton et déplacez doucement le tube jusqu'à entendre le « clic ». Votre tube télescopique est maintenant fixé en place.

## UTILISER VOTRE ASPIRATEUR

### Brancher votre aspirateur sur le secteur

Tirez la prise du cordon d'alimentation hors de l'aspirateur à la longueur voulue. Insérez la prise électrique dans la prise.



#### Attention :

Le repère jaune sur le cordon électrique vous indique que la fin du câble est presque arrivée. Ne tirez pas sur le câble plus loin que jusqu'au repère rouge.

### Régler la brosse d'aspiration du sol en fonction de la surface

Vous pouvez régler la brosse en fonction de la surface en actionnant le bouton rabattable :

- Si vous souhaitez aspirer des tapis, rétractez les poils durs de la brosse en positionnant le bouton rabattable en conséquence.
- Si vous souhaitez aspirer des surfaces dures et lisses, sortez les poils durs de la brosse en positionnant le bouton rabattable en conséquence.

### Allumer et éteindre votre aspirateur

Pour allumer ou éteindre votre appareil, appuyez sur le bouton Marche/Arrêt sur le corps de l'aspirateur.

### Régler la puissance d'aspiration

La puissance d'aspiration peut être réglée en déplaçant le curseur sur le corps de l'aspirateur (portée réduite) ou celui sur le tuyau.



#### Astuce

- Utilisez la puissance d'aspiration maximum lorsque vous aspirez les tapis et les surfaces dures. Utilisez une puissance réduite lorsque vous aspirez des tapisseries, des rideaux, etc...
- Si le support du tuyau se bouche pendant l'aspiration, démontez-le du tube télescopique et retirez également le tuyau du corps de l'aspirateur. Placez ensuite le support à l'intérieur de l'orifice d'aspiration sur le corps de l'aspirateur et aspirez les saletés qui l'obstruent.

### Interruption temporaire de l'aspiration

Si vous souhaitez arrêter l'aspiration pendant une brève durée, vous pouvez utiliser l'une des positions de parking :

- pour la position de parking horizontale, utilisez le bloqueur à l'extrémité de la brosse pour l'aspiration des sols,
- pour la position de parking verticale, utilisez le bloqueur sur le tube télescopique.



#### Remarque :

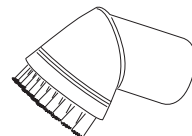
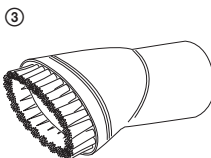
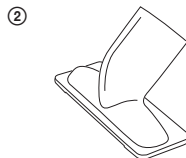
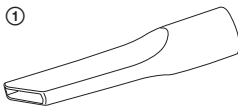
Ne déplacez pas l'aspirateur lorsque le tuyau est en position de parking ! Le tuyau ou les pattes de la brosse et du tube télescopique pourraient casser.



## UTILISER VOS ACCESSOIRES

### D

- ① Succion long et étroit pour aspirer les endroits difficilement accessibles (fenêtres, coins, étagères, matelas, tapisseries, etc.)
- ② Brosse pour ameublement
- ③ Petite brosse (en tournant la brosse il est possible d'aspirer les endroits difficilement accessibles)



#### Astuce :

Si vous utilisez souvent le même accessoire pendant que vous passez l'aspirateur, vous pouvez le fixer sur le support spécial sur tube télescopique.

#### Arrêter l'aspiration

Quand vous avez terminé de passer l'aspirateur, éteignez-le en appuyant sur le bouton Marche/Arrêt puis débranchez la prise du câble électrique de la prise murale.

Pour rembobiner le cordon électrique dans l'aspirateur, maintenez enfoncé le bouton de rembobinage d'une main. Tenez le cordon dans l'autre main, afin d'éviter d'endommager la zone d'insertion du câble dans l'aspirateur.



#### Astuce :

Si le rembobinage s'arrête alors qu'une partie du câble est toujours à l'extérieur, relâchez le bouton de rembobinage, tirez le câble d'environ 50 cm et appuyez de nouveau sur le bouton de rembobinage.

#### Transporter votre aspirateur

Il est possible de porter et de transporter l'aspirateur par sa poignée.

## RANGEMENT DE L'ASPIRATEUR

Avant de le ranger, vous pouvez démonter les pièces de votre appareil ou le laisser monté avec son tube télescopique fixé sur l'une des positions de parking.

## NETTOYAGE ET ENTRETIEN



#### Attention :

Avant de nettoyer l'appareil, débranchez-le de la source électrique.

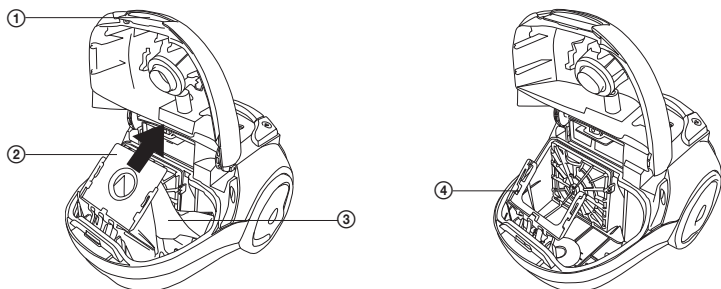
#### Remplacer le sac à poussières

Videz le sac à poussières dès que le voyant indiquant qu'il est plein s'allume. Le flux d'air et la puissance d'aspiration seront sinon réduits.

# Aspirateur

SVC 7CA-NAA1-09 / SVC 7CA-NAA1-10 / SVC 7CA-NAA1-11 / SVC 7XX-NAA1-YY

## E



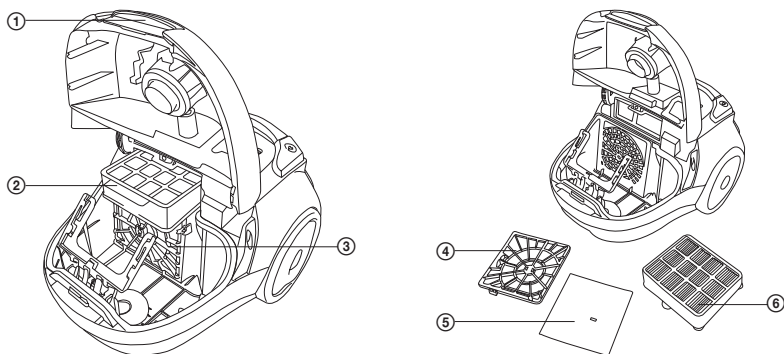
- ① Clip du cache
- ② Collier du sac à poussières
- ③ Sac à poussières

- ④ Support du sac à poussières

- 1) En appuyant sur le clip et en le tirant en même temps vers le haut, ouvrez la zone du filtre de l'aspirateur.
- 2) En tirant sur le collier du sac à poussières dans le sens de la flèche, retirez-le du support en plastique et insérez un sac neuf.
- 3) Fermez le couvercle de l'aspirateur jusqu'à entendre le clic.

### Remplacer et nettoyer le filtre de sortie HEPA et le micro-filtre d'entrée

## F



- ① Clip du cache
- ② Filtre de sortie HEPA
- ③ Grille du micro-filtre d'entrée

- ④ Grille du micro-filtre d'entrée
- ⑤ Micro-filtre d'entrée
- ⑥ Filtre de sortie HEPA

# Aspirateur

SVC 7CA-NAA1-09 / SVC 7CA-NAA1-10 / SVC 7CA-NAA1-11 / SVC 7XX-NAA1-YY

FR

- 1) En appuyant sur le clip et en le tirant en même temps vers le haut, ouvrez la zone du filtre de l'aspirateur.
- 2) En tirant sur le collier du sac à poussières dans le sens de la flèche, retirez-le du support en plastique pour pouvoir accéder au filtre.
- 3) Tirez la grille du micro-filtre d'entrée vers vous et retirez-la.
- 4) Sortez le filtre de sortie HEPA en le tirant.
- 5) Si les filtres ne sont que légèrement sales, il est possible de les laver sous l'eau tiède. Si le filtre est fortement encrassé, remplacez-le par un neuf.
- 6) Repositionnez le filtre de sortie HEPA et le micro-filtre d'entrée.
- 7) Remplacez le sac à poussières.
- 8) Fermez le couvercle de l'aspirateur jusqu'à entendre le clic.



## Remarque :

Ne remettez jamais les filtres en place s'ils sont mouillés ou humides ! Attendez toujours qu'ils soient parfaitement secs.

## Nettoyer votre aspirateur

Pour nettoyer les parties extérieures, utilisez un chiffon doux humidifié d'eau tiède. N'utilisez pas de détergents agressifs, des diluants à peinture ou des solvants. L'utilisation de ces solutions pourrait endommager les surfaces du produit.

## DÉPANNAGE

Avant de décider de contacter un centre d'assistance agréé, merci de lire les astuces de dépannage suivantes :

Problème	Cause possible	Action recommandée
Le moteur ne démarre pas	<ul style="list-style-type: none"><li>- Le cordon électrique n'est pas correctement inséré dans la prise murale</li><li>- La prise murale est endommagée</li><li>- L'aspirateur n'est pas allumé.</li></ul>	<ul style="list-style-type: none"><li>- Branchez la prise fermement dans la prise murale.</li><li>- Vérifiez la prise murale</li><li>- Allumez l'appareil.</li></ul>
L'aspiration est insuffisante	<ul style="list-style-type: none"><li>- L'appareil est bouché</li><li>- Le filtre à poussières a besoin d'être nettoyé</li><li>- Le filtre est bouché</li></ul>	<ul style="list-style-type: none"><li>- Retirez le bouchon ou les corps étrangers</li><li>- Nettoyez le filtre à poussières</li><li>- Nettoyez le filtre</li></ul>
Le cordon électrique n'est pas complètement rembobiné	Il se peut que le cordon électrique soit sorti de la poulie pendant le rembobinage.	Maintenez le cordon électrique pendant le rembobinage. Exercez une légère tension sur le cordon électrique (en le tirant en arrière) pendant le rembobinage
Il est impossible de sortir le cordon électrique	Le cordon électrique s'est mal rembobiné	Appuyez sur le bouton de rembobinage et réessayez de le rembobiner
Le régulateur de vitesse ne fonctionne pas	Le produit est en panne	Faites réparer l'appareil par un technicien. (technicien qualifié uniquement)
Le cordon électrique se rembobine de façon inattendue	Le mécanisme de rembobinage est cassé	Faites réparer l'appareil par un technicien. (technicien qualifié uniquement)

## CARACTERISTIQUES TECHNIQUES

Tension nominale.....	120V CA
Fréquence nominale.....	60 Hz
Puissance d'aspiration.....	200W (SVC 7CA-NAA1-09), 240W (SVC 7CA-NAA1-10), 280W (SVC 7CA-NAA1-11)
Courant nominal.....	9 amp (SVC 7CA-NAA1-09), 10 amp (SVC 7CA-NAA1-10), 11 amp (SVC 7CA-NAA1-11)
Longueur du cordon électrique .....	6 m/236,2 pouces
Portée d'utilisation.....	8,5 m/334,6 pouces
Capacité du sac à poussières.....	2,5 l
Dimensions (largeur x largeur x hauteur) .....	390 x 315 x 245 mm/22,43 x 12,29 x 13,65 pouces
Poids.....	10,6 kg/18,3 lb

Nous nous réservons le droit de modifier le texte ou les paramètres techniques.

# Aspirador

Manual del usuario

ES



**SENCOR®**

SVC 7CA-NAA1-09 / SVC 7CA-NAA1-10  
SVC 7CA-NAA1-11 / SVC 7XX-NAA1-YY

Antes de usar el producto por primera vez, lea atentamente todas las instrucciones contenidas en este manual del usuario, aunque ya esté familiarizado con el uso de productos similares. Este producto debe utilizarse únicamente tal como se explica en el manual del usuario. Guarde el manual del usuario en un lugar seguro para poder consultarlo fácilmente en el futuro.

## ÍNDICE

SALVAGUARDAS IMPORTANTES.....	3
DESCRIPCIÓN .....	4
MONTAJE .....	5
UTILIZACIÓN DEL ASPIRADOR.....	6
UTILIZACIÓN DE LOS ACCESORIOS .....	7
ALMACENAMIENTO DEL ASPIRADOR .....	7
LIMPIEZA Y MANTENIMIENTO.....	8
SOLUCIÓN DE PROBLEMAS.....	10
ESPECIFICACIONES TÉCNICAS .....	11

## SALVAGUARDAS IMPORTANTES

### LEA TODAS LAS INSTRUCCIONES ANTES DE UTILIZAR ESTA ASPIRADORA.



#### AVISO

Para reducir el riesgo de incendio, descarga eléctrica o heridas:

- No usar en exteriores o sobre superficies húmedas.
- No deje la aspiradora sin supervisión cuando esté enchufada. Apáguela y desenchufe el cable eléctrico cuando no esté en uso y antes de realizarle cualquier inspección.
- No permita que el aparato se utilice para jugar. Debe prestar máxima atención cuando sea utilizada por niños o cerca de ellos.
- El aparato únicamente debe utilizarse tal y como se explica en este manual. Utilice sólo los accesorios recomendados por el fabricante.
- No utilice si tiene dañado el cable eléctrico o el enchufe. Si la aspiradora no funciona como debiera, hubiera recibido un golpe, estuviera dañada, la hubiera dejado en el exterior o se hubiera mojado, llévela a un centro de servicio para que la comprueben antes de usarla.
- No tire o transporte la aspiradora por el cable, utilice el cable como asa, pise el cable con una puerta ni lo pase alrededor de filos o esquinas. No pase la aspiradora sobre el cable. Mantenga el cable alejado de superficies calientes.
- No utilice cables alargadores ni tomas de corriente con una capacidad eléctrica incorrecta.
- Apague todos los mandos antes de desenchufarla.
- No desenchufar tirando del cable. Para desenchufar, sujete por el enchufe, no por el cable.
- No manipule el enchufe ni el aspirador con las manos mojadas.
- No coloque ningún objeto en las ranuras. No utilice si se ha bloqueado alguna ranura; mantener libre de polvo, pelusas, pelo y cualquier cosa que pueda reducir el flujo de aire.
- Esta aspiradora crea succión. Mantenga el pelo, la ropa suelta, los dedos y todas las partes del cuerpo alejadas de las aperturas y las partes móviles.
- No aspire objetos con fuego o candentes, como cigarrillos, mecheros o cenizas calientes.
- No utilice sin la bolsa de polvo o filtro(s) en su lugar.
- Las poleas de la correa pueden calentarse con el uso normal. Para evitar quemaduras, evite tocar las poleas de la correa cuando inspeccione la correa de distribución. Deje que se enfríe.
- Tenga especial cuidado al limpiar escaleras.
- No utilice el aparato para aspirar líquidos inflamables o combustibles, como por ejemplo gasolina, ni en lugares en los que pudiera haber este tipo de productos.
- Guarde la aspiradora en interiores, en una zona fresca y seca.
- Mantenga su zona de trabajo bien iluminada.
- Desenchufe los dispositivos eléctricos antes de aspirarlos.
- Apague siempre la aspiradora antes de conectar o desconectar la manguera, la barra o la boquilla motorizada
- Sujete el enchufe cuando lie el cable. No permita que el cable de latigazos al liarlo.
- La manguera contiene cable eléctrico.
- No utilice si tiene dañado el cable eléctrico o el enchufe. Evite aspirar objetos afilados.
- La boquilla podría reiniciarse de pronto. Desenchufar antes de inspeccionar.
- Utilice sólo los accesorios recomendados por el fabricante
- No utilice si se ha bloqueado alguna ranura; mantener libre de polvo, pelusas, pelo y cualquier cosa que pueda reducir el flujo de aire.

### GUARDE ESTAS INSTRUCCIONES PARA SU USO DOMÉSTICO EXCLUSIVAMENTE

Para reducir el riesgo de descarga eléctrica, el dispositivo tiene un enchufe polarizado (una pala es más ancha que la otra). Este enchufe encaja en una toma polarizada en un solo sentido. Si el enchufe no encaja por completo en la toma, dele la vuelta al enchufe. Si aún así no encaja, póngase en contacto con un electricista cualificado para que le instale la toma adecuada. No cambie el enchufe.

# Aspirador

SVC 7CA-NAA1-09 / SVC 7CA-NAA1-10 / SVC 7CA-NAA1-11 / SVC 7XX-NAA1-YY

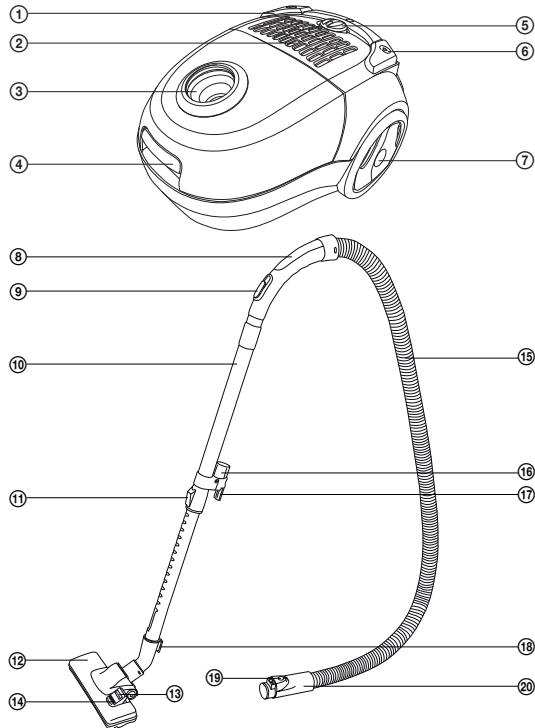
## Corte térmico

Esta aspiradora tiene un termostato especial que protege en caso de un sobrecalentamiento del motor. Si la aspiradora se apaga de pronto, pulse el interruptor de encendido / apagado (0) y desenchufe la aspiradora. Compruebe la aspiradora en busca de una posible causa de sobrecalentamiento, como una bolsa llena, una manguera bloqueada o filtro bloqueado. Si descubre una de estas cosas, arréglole y espere al menos 30 minutos antes de utilizar la aspiradora. Después de esos 30 minutos, enchufe la aspiradora otra vez y pulse el interruptor de encendido / apagado (I). Si la aspiradora aún así no funcionase, llévela a un Servicio Técnico Autorizado para que la reparen.

## DESCRIPCIÓN

### A

- ① Botón START/STOP
- ② Tapa del filtro HEPA de salida
- ③ Orificio de conexión de la manguera de aspiración
- ④ Presilla de la tapa
- ⑤ Control de regulación de la potencia del motor
- ⑥ Botón de enrollamiento del cable
- ⑦ Rueda de goma
- ⑧ Mango
- ⑨ Botón deslizante de aspiración
- ⑩ Tubo telescópico
- ⑪ Presilla del tubo telescópico
- ⑫ Boquilla de aspiración de suelos
- ⑬ Posición de la trampilla para aspirar moquetas
- ⑭ Posición de la trampilla para aspirar suelos duros (lisos)
- ⑮ Manguera
- ⑯ Soporte para accesorios
- ⑰ Tope para la posición de estacionamiento vertical
- ⑱ Tope para la posición de estacionamiento horizontal
- ⑲ Presilla
- ⑳ Extremo de la manguera





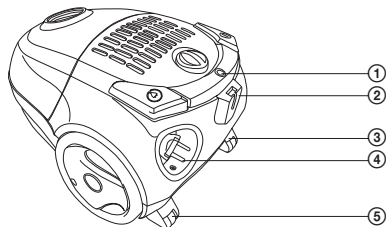
# Aspirador

SVC 7CA-NAA1-09 / SVC 7CA-NAA1-10 / SVC 7CA-NAA1-11 / SVC 7XX-NAA1-YY

ES

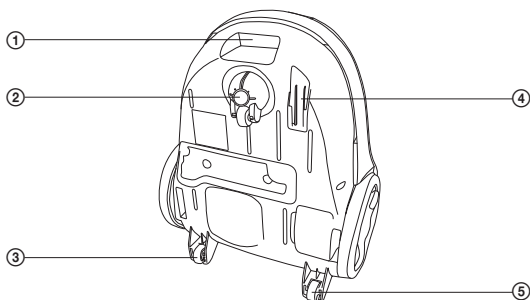
## B

- 1 Indicador de bolsa recoge polvo llena
- 2 Posición de estacionamiento horizontal
- 3 Rueda de apoyo
- 4 Cable de alimentación
- 5 Rueda de apoyo



## C

- 1 Asa de transporte
- 2 Mecanismo de la rueda delantera
- 3 Rueda de apoyo
- 4 Posición de estacionamiento vertical
- 5 Rueda de apoyo



## MONTAJE

### Introduzca la manguera en el orificio de aspiración de aire del aspirador:

Presione los dos botones de seguridad que hay en el extremo de la manguera e inserte el extremo de la manguera en la abertura de aspiración de aire del aspirador hasta que se escuche un chasquido. La manguera quedará fijada en la posición correcta.

### Monte el soporte en el tubo telescópico:

El soporte debe colocarse con la manguera en la parte más ancha del tubo telescópico.

### Monte la boquilla de aspiración de suelos en el tubo telescópico:

La boquilla para suelos debe instalarse en la parte más estrecha del tubo telescópico.

### Ajuste la longitud del tubo telescópico:

Ajuste la longitud del tubo telescópico tal como se explica a continuación: mueva el botón del tubo hacia delante tal como indican las flechas y, sin soltarlo, ajuste el tubo a la longitud necesaria. Luego suelte el botón y mueva el tubo ligeramente hacia delante hasta que se escuche un chasquido. De esta manera, el tubo telescópico queda fijado con firmeza.

## UTILIZACIÓN DEL ASPIRADOR

### Conexión del aspirador a la toma de corriente

Tire de la clavija del cable de alimentación del aspirador y desenrolle la cantidad de cable que necesite. Enchufe la clavija a la toma de corriente.



#### Precaución:

La marca amarilla del cable de alimentación indica que queda poco cable. No intente forzar el cable más allá de la marca roja.

### Ajuste de la boquilla de aspiración de suelos en función de la superficie

La boquilla de aspiración puede adaptarse a la superficie del suelo ajustando la trampilla de entrada:

- Para aspirar moquetas, mueva la trampilla para plegar las escobillas del lado de entrada de la boquilla de aspiración.
- Para aspirar superficies duras y lisas, mueva la trampilla para desplegar las escobillas de la boquilla.

### Encendido y apagado del aspirador

Para encender y apagar el aparato, presione el botón START/STOP que hay en el cuerpo del aspirador.

### Ajuste de la potencia de aspiración

La potencia de aspiración puede ajustarse moviendo la corredera del cuerpo del aspirador (rango de ajuste corto) o la corredera del mango de la manguera.



#### Consejos:

- Utilice la fuerza de aspiración máxima para aspirar moquetas o suelos duros. Utilice poca fuerza para aspirar tapicerías, cortinas, etc.
- Si el soporte de la manguera se obstruye durante la aspiración, desconéctelo del tubo telescópico y desconecte también la manguera del cuerpo del aspirador. A continuación, coloque el soporte en el orificio de aspiración del cuerpo del aspirador y aspire la suciedad adherida.

### Parada temporal de la aspiración

Para dejar de aspirar brevemente, utilice una de las posiciones de estacionamiento:

- Para la posición de estacionamiento horizontal, utilice el tope que hay al final de la boquilla para suelos.
- Para la posición de estacionamiento vertical, utilice el tope del tubo telescópico.



#### Nota:

No mueva el aspirador mientras la manguera esté en la posición de estacionamiento, ya que tanto la manguera como los alojamientos de la boquilla para suelos o del tubo telescópico podrían romperse.

# Aspirador

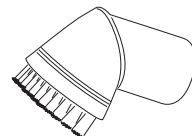
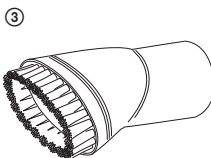
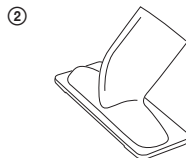
SVC 7CA-NAA1-09 / SVC 7CA-NAA1-10 / SVC 7CA-NAA1-11 / SVC 7XX-NAA1-YY

ES

## UTILIZACIÓN DE LOS ACCESORIOS

### D

- ① Boquilla ranurada para aspirar lugares de difícil acceso (como ventanas, esquinas, estanterías, espacio entre colchones, tapicerías, etc.)
- ② Boquilla para tapicerías
- ③ Boquilla de escobillas (girando las escobillas pueden aspirarse a lugares de difícil acceso)



#### Consejo:

Si utiliza un accesorio muy a menudo para aspirar, puede guardarlo en el soporte especial del tubo telescópico.

#### Finalización del proceso de aspiración

Cuando termine de aspirar, apague el aspirador con el botón START/STOP y, acto seguido, desenchufe la clavija de alimentación de la toma de corriente.

Para volver a enrollar el cable de alimentación en el aspirador, mantenga presionado el botón de enrollamiento con una mano. Con la otra, sujete el cable para evitar que la zona de entrada del aspirador resulte dañada.



#### Consejo:

Si el cable deja de enrollarse antes de haberse enrollado completamente, suelte el botón de enrollamiento, extraiga unos 50 cm de cable y vuelva a presionar el botón de enrollamiento para continuar enrollando el cable.

#### Transporte del aspirador

El aspirador se puede coger y transportar con el asa.

## ALMACENAMIENTO DEL ASPIRADOR

El producto puede guardarse desmontando las piezas que lo componen o con todas las piezas montadas, situando el tubo telescópico en una de las posiciones de estacionamiento.

## LIMPIEZA Y MANTENIMIENTO

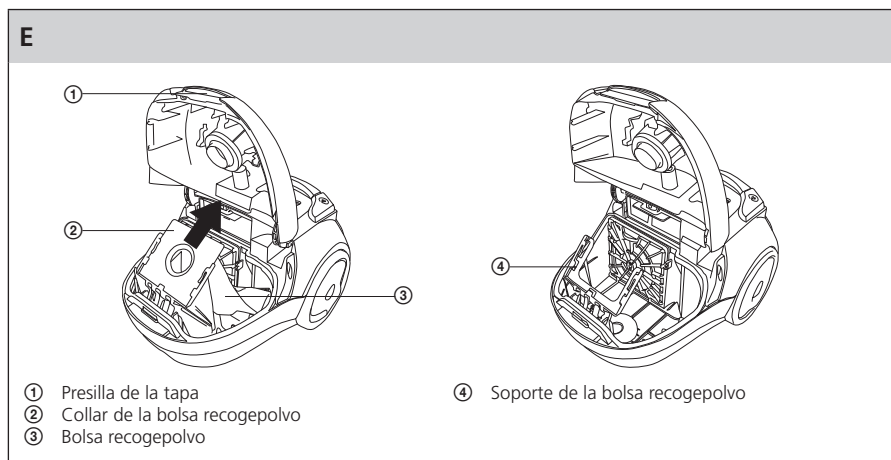


### Precaución:

Antes de limpiar el producto, desenchúfelo de la toma de corriente.

### Sustitución de la bolsa recogepolvo

La bolsa recogepolvo debe sustituirse en cuanto se ilumine el indicador de bolsa llena. De lo contrario, tanto el caudal de aire como la potencia de aspiración se verían reducidos.



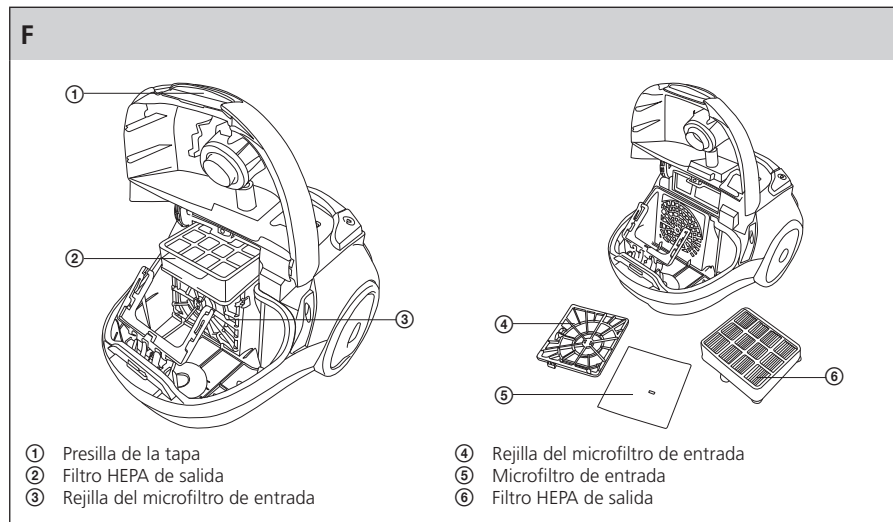
- 1) Presione la presilla y tire hacia arriba al mismo tiempo para abrir la zona del filtro del aspirador.
- 2) Tire del collar de la bolsa recogepolvo en la dirección señalada por la flecha para extraerla del soporte de plástico y coloque una bolsa nueva en su lugar.
- 3) Cierre la tapa del aspirador hasta que se escuche un chasquido.

# Aspirador

SVC 7CA-NAA1-09 / SVC 7CA-NAA1-10 / SVC 7CA-NAA1-11 / SVC 7XX-NAA1-YY

ES

## Sustitución y limpieza del filtro HEPA de salida y del microfiltro de entrada



- 1) Presione la presilla y tire hacia arriba al mismo tiempo para abrir la zona del filtro del aspirador.
- 2) Tire del collar de la bolsa recogepolvo en la dirección señalada por la flecha para extraerla del soporte de plástico y poder extraer el filtro.
- 3) Tire de la rejilla del microfiltro hacia usted y extráigala.
- 4) Tire del filtro HEPA de salida para extraerlo.
- 5) Si los filtros solo están un poco sucios, pueden limpiarse con agua corriente tibia. Si están muy sucios, cámbielos por otros nuevos.
- 6) Vuelva a montar el filtro HEPA de salida y el microfiltro de entrada.
- 7) Vuelva a colocar la bolsa recogepolvo.
- 8) Cierre la tapa del aspirador hasta que se escuche un chasquido.



### Nota:

¡No vuelva a montar los filtros en el aspirador si están húmedos o mojados! Espere siempre hasta que estén totalmente secos.

### Limpieza del aspirador

Para limpiar las piezas externas del producto, utilice un paño suave humedecido con agua tibia. No utilice productos de limpieza agresivos, diluyentes de pintura ni disolventes, ya que estos productos podrían dañar la superficie del producto.

## SOLUCIÓN DE PROBLEMAS

Antes de avisar a un centro de asistencia técnico autorizado, lea las recomendaciones de la siguiente tabla de solución de problemas:

Problema	Causa posible	Acción recomendada
El motor no arranca	<ul style="list-style-type: none"> <li>– El cable de alimentación no está bien enchufado a la toma de corriente</li> <li>– La toma de corriente no funciona</li> <li>– El aspirador no está encendido</li> </ul>	<ul style="list-style-type: none"> <li>– Inserte la clavija firmemente en la toma de corriente</li> <li>– Revise la toma de corriente</li> <li>– Encienda el producto</li> </ul>
La potencia de aspiración es insuficiente	<ul style="list-style-type: none"> <li>– El producto está obstruido</li> <li>– Es necesario limpiar el filtro de polvo</li> <li>– El filtro está obstruido</li> </ul>	<ul style="list-style-type: none"> <li>– Elimine la obstrucción o retire el cuerpo extraño</li> <li>– Limpie el filtro de polvo</li> <li>– Limpie el filtro</li> </ul>
El cable de alimentación no se enrolla completamente	Es posible que el cable de alimentación se haya salido del carrete al enrollarse	Sujete el cable de alimentación mientras se enrolla. Tense ligeramente el cable de alimentación (tire de él) mientras se enrolla.
No se puede extraer el cable de alimentación	El cable de alimentación está mal enrollado	Presione el botón de enrollamiento e intente enrollar el cable de nuevo.
El control de velocidad no funciona	El producto está averiado	Encargue la reparación del producto solo a un técnico cualificado.
El cable de alimentación empieza a enrollarse sin que se haya presionado el botón	El mecanismo de enrollamiento está averiado	Encargue la reparación del producto solo a un técnico cualificado.

# Aspirador

SVC 7CA-NAA1-09 / SVC 7CA-NAA1-10 / SVC 7CA-NAA1-11 / SVC 7XX-NAA1-YY

ES

## ESPECIFICACIONES TÉCNICAS

Tensión nominal.....	120V CA
Frecuencia nominal.....	60 Hz
Potencia de aspirado .....	200W (SVC 7CA-NAA1-09), 240W (SVC 7CA-NAA1-10), 280W (SVC 7CA-NAA1-11)
Corriente .....	9 amperios (SVC 7CA-NAA1-09), 10 amperios (SVC 7CA-NAA1-10), 11 amperios (SVC 7CA-NAA1-11)
Longitud del cable de alimentación .....	6 m/236,2 pulgadas
Alcance de funcionamiento.....	8.5 m/334,6 pulgadas
Capacidad de la bolsa recogepolvo .....	2,5 l
Dimensiones (largo x ancho x alto) .....	390 x 315 x 245 mm/22,43 x 12,29 x 13,65 pulgadas
Peso .....	10,6 kg/18,3 libras

Queda reservado el derecho a realizar modificaciones en el texto y en los parámetros técnicos.

