

SENCOR®

STS 6050GG / STS 6051GR / STS 6052BL
STS 6053VT / STS 6054RD / STS 6055RS
STS 6056GD / STS 6057CH / STS 6058BK



EN ■ Toaster

READ CAREFULLY AND STORE FOR FUTURE USE.

- This appliance may be used by children 8 years of age and older and by persons with physical or mental impairments or by inexperienced persons, if they are properly supervised or have been informed about how to use the product in a safe manner and understand the potential dangers. Cleaning and user maintenance must not be performed by children unless they are older than 8 years of age and under supervision. Keep this appliance and the power cord out of reach of children that are younger than 8 years of age. Children must not play with the appliance.
- The appliance is designed for household use only. It is not intended for use in locations such as:
 - staff kitchens in stores, offices and other workplaces;
 - hotel or motel rooms and other living areas;
 - agricultural farms;
 - bed and breakfast establishments.
- The appliance is designed for toasting bread products such as sandwich bread, standard bread, bread rolls, buns, bagels, etc.
- Do not use the appliance for toasting sweet bread products that are sprinkled with sugar or contain canned fruit, marmalade or jam such as cakes, buns, etc. Otherwise, this could result in a fire.
- Do not use the appliance in an industrial environment or outdoors or for purposes other than those for which it is intended.
- Do not place the appliance on an electric or gas stove or in its vicinity, on a kitchen sink drainboard, on the edge of a table or on an unstable surface. The appliance must be located on a stable and even surface.
- Before connecting the appliance to a power socket, check that the technical details on its rating label match the voltage in the socket. Connect the appliance only to a grounded power socket.
- Make sure the power cord does not hang over the edge of a table or that it is not touching a hot surface.



Warning:

This appliance is not designed to be controlled using a programmed device, external timer switch or remote control.

- Do not use the appliance without the crumb tray inserted.



Attention:

Bread may catch on fire, so do not use the appliance in the vicinity of flammable materials such as curtains, kitchen towels, etc., nor place them underneath it.

- From the fire safety standpoint, this appliance conforms to the norms valid in the European Union. According to these norms these appliances may be operated on a table or a similar surface under the condition that in the direction of the main heat radiation a safe distance of 50 cm must be maintained from flammable materials and at least 10 cm in other directions.
- Before first use, to remove any potential odours, the appliance must be started empty at least three times with the maximum toasting intensity set.

- The temperature of accessible surfaces may be higher during operation and after operation as a result of residual heat. Take care not to touch the hot surface. Pay special attention when removing smaller pieces of bread products out of the appliance.
- Do not leave the appliance without supervision when it is in operation.
- Never cover the appliance when it is in operation or hot.
- Do not insert excessively large pieces of bread products into the toasting slots or insert bread products wrapped in aluminium foil or metal items. Otherwise there is a risk of fire or injury by electrical shock.
- Never toast bread products by placing them horizontally directly on the toasting slots. This would interrupt air circulation and could result in a fire.

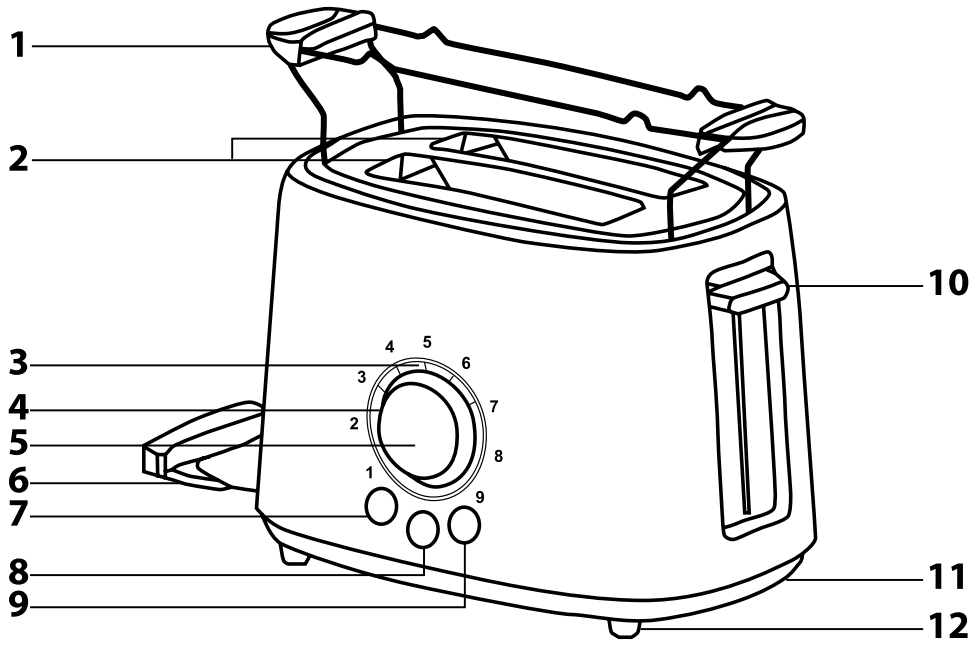


Attention:

Never attempt to take out a jammed piece of bread or any other bread product using a knife or another metal object. This could lead to injury by electrical shock or damage the appliance. If bread products become jammed inside the toasting slots, turn off the appliance, disconnect it from the power socket and allow it to cool down. Then carefully remove the bread products that are jammed inside the appliance.

- Always turn off the appliance and disconnect it from the power socket when leaving it without supervision or when not using it and before cleaning or moving it. Allow the appliance to fully cool down before moving, cleaning and storing it.
- The removable crumb tray must be regularly cleaned out so that crumbs do not accumulate inside it. When cleaning it, follow the instructions in chapter Cleaning and maintenance. To prevent potential injury by electrical shock, do not submerge this appliance or its power cord in water or any other liquid.
- Disconnect the appliance from the power socket by pulling on the plug, never pulling on the power cord. Otherwise, this could damage the power cord or the socket.
- If the power cord is damaged, it must be replaced by an authorised service centre or by another similarly qualified person, this will prevent the creation of a dangerous situation. It is forbidden to use the appliance if it has a damaged power cord.
- Do not use the appliance if it is damaged, not working correctly, if it has been dropped on the floor or submerged in water. In order to prevent a hazardous situation arising, do not repair the appliance yourself or modify it in any way. Have all repairs performed at an authorised service centre. By tampering with the appliance, you risk voiding your legal rights arising from unsatisfactory performance or quality warranty.

A



EN Toaster

User's manual

- Prior to using this appliance, please read the user's manual thoroughly, even in cases, when one has already familiarised themselves with previous use of similar types of appliances. Only use the appliance in the manner described in this user's manual. Keep this user's manual in a safe place where it can be easily retrieved for future reference.
- We recommend saving the original cardboard box, packaging material, purchase receipt and responsibility statement of the vendor or warranty card for at least the duration of the legal liability for unsatisfactory performance or quality. In the event of transportation, we recommend that you pack the appliance in the original box from the manufacturer.

DESCRIPTION OF THE APPLIANCE

A1 Removable toasting rack	A8 "Cancel" button
A2 Two toast slots	A9 "Defrost" button
A3 LED operation indicator	A10 Control lever with the "High Lift" function for easy removal of smaller bread products
A4 Electronic timer for 9 levels of toasting intensity	A11 Power cord storage compartment
A5 LED display	A12 Anti-slip feet
A6 Removable crumb tray	
A7 "Reheat" button	

BEFORE FIRST USE

- Before first use take the appliance and its accessories out of the packaging material and remove all promotional labels and stickers from it.
- Wash the toasting rack **A1** using warm water and a neutral kitchen detergent. Then rinse it under running water and dry it thoroughly with a wiping cloth.



Attention:

Make sure that the toasting rack **A1** is completely dry before placing it on the toaster.

- Before first use, to remove any potential odours, the toaster must be started empty at least three times with the maximum toasting intensity set.

OPERATING THE APPLIANCE

- Place the toaster on an even, dry and stable surface at a sufficient distance from surfaces of flammable materials as described in chapter Safety instructions.
- Fully unwind the power cord and connect the toaster to a power socket. When not using the toasting rack **A1**, remove it. Insert one piece of sandwich bread, slice of standard bread, half a bun or bagel, etc. into each slot **A2**. The bread slices must not be too thick so as not to jam in the slots **A2** and must not extend out of the toaster when the control lever **A10** is locked in the lower position.



Attention:

Do not place bread products that have butter, margarine, etc. spread on them into the toaster.

- Use the electronic timer **A4** to set the toasting intensity in the range from 1 to 9. Low toasting intensity corresponds to levels 1 and 3. For medium toasting intensity, set level 4 to 6, and for high toasting intensity, set level 7 to 9. Upon first use, it is recommended to set the toasting intensity to level 4 or 5. To toast another bread product, you can then choose a different toasting intensity level depending on the type of bread and your taste preference.
- Start the toaster by pushing down the control lever **A10**. The toasting process will automatically start when the control lever **A10** is locked in the lower position. Button **A8** will be lit, the LED operating indicators **A3** will be lit, and the set toasting intensity level will appear on the display **A5**. The LED indicators **A3** will gradually turn off during operation.



Note:

Unless the toaster is connected to a power socket, the control lever **A10** will not lock in the lower position, and the toaster will not start.

The toasting process can be stopped at any time during operation by pressing button **A8**.



Note:

The control lever **A10** is equipped with a "High Lift" function that lifts the bread product all the way up. This makes it easier to take out smaller bread products.



Attention:

Never attempt to take out a jammed piece of bread or any other bread product using a knife or another metal object. This could lead to injury by electrical shock or damage the appliance. If bread products become jammed inside the toaster, turn it off, disconnect it from the power socket and allow it to cool down. Then carefully remove the bread products.

- After using the toaster, disconnect it from the power socket and allow it to cool down.

Reheat toast function

- This function makes it possible to heat up a toast without further toasting. The setting on the timer **A4** has no effect on this function.
- Insert toasts into the slots **A2** and push the control lever **A10** down until it is locked in the lower position. Button **A8** will be lit, the LED operating indicators **A3** will be lit, and the set toasting intensity level will appear on the display **A5**. To heat up a toast, press button **A7**. Button **A7** will be lit and the toast reheat mode will be started. The LED indicators **A3** will gradually turn off during operation.
- The toaster will automatically raise the inserted bread products at the end of the toast heating process. The display **A5**, LED indicators **A3** and the button backlights will turn off.



Note:

The toast reheating process can be interrupted at any time by pressing button **A8**.

Toast frozen bread products function

- Insert frozen bread products into the slots **A2** and set the desired toasting level. Push the control lever **A10** down until it becomes locked in the lower position. Button **A8** will be lit, the LED operating indicators **A3** will be lit, and the set toasting intensity level will appear on the display **A5**.
- To toast frozen bread products, press button **A9**. Button **A9** will be lit and the toast frozen bread products mode will be started. In the first phase, the frozen bread products are defrosted, in the second phase they are toasted. The LED indicators **A3** will gradually turn off during operation.
- The toaster will automatically raise the inserted bread products at the end of the toasting process. The display **A5**, LED indicators **A3** and the button backlights will turn off.



Note:

The toast frozen bread products process can be interrupted at any time by pressing button **A8**.



Note:

The reheat toast function and the toast frozen bread products function cannot be set simultaneously.

Toasting rack

- Place the rack **A1** on to the toaster as shown in figure A and place the bread product (small baguette, bread roll or bun) that you wish to toast on to it. Set a low toasting intensity in the range from 1 to 3 and push the control lever **A10** down until it locks in the lower position. The toasting process will start automatically. Button **A8** will be lit, the LED operating indicators **A3** will be lit, and the set toasting intensity level will appear on the display **A5**. The LED indicators **A3** will gradually turn off during operation.

- Wait until the toasting process finishes automatically or press button **A8** at the moment when the bread product is sufficiently toasted. If the bread product is not sufficiently toasted even after the process has finished, repeat the toasting process.
- When removing bread product from the rack **A1**, be especially careful not to touch the hot parts.

TIPS AND ADVICE FOR SETTING TOASTING INTENSITY

- The toasting process occurs in two phases. In the first phase, moisture is evaporated from the bread product followed by toasting in the second phase.
- The toasting level depends on the type, size and freshness of the bread product.
- Fresh bread will toast for longer because first the moisture contained in it needs to be evaporated and only then can actual toasting begin. Therefore, it requires a higher toasting intensity to be set. Wholegrain bread, thicker bread slices, halved buns and bagels, likewise require a higher toasting intensity to be set.
- Older bread that does not contain as much moisture as fresh bread will toast for a shorter period and will, therefore, require a lower toasting intensity level than usual.
- Smaller and thinner bread slices will toast faster than larger and thicker bread slices.
- When toasting only a single bread slice, set a lower toasting intensity level than when toasting two bread slices at the same time.

CLEANING AND MAINTENANCE

- Clean the toaster after every use. Before cleaning it, make sure that it is disconnected from the power socket and that it has cooled down.
- Use one finger to press the crumb tray **A6** towards the toaster. This will release the crumb tray **A6**, enabling it to be taken out. Pull the crumb tray **A6** out of the toaster. Tip out the crumbs, wipe it with a clean, dry cloth and put it back in its place. Clean the crumb tray **A6** regularly. Ensure that crumbs do not accumulate inside. Otherwise they could catch on fire.
- To remove crumbs from inside the toaster, turn the toaster upside down and carefully shake out the crumbs over a rubbish bin.
- Wipe the outer surface of the toaster with a dry or lightly damp cloth and then thoroughly wipe dry. Ensure that no water or moisture enters into the internal area of the toaster.
- Do not use cleaning products causing abrasion, petrol, solvents, etc. to clean the toaster.
- To prevent potential injury by electrical shock, do not submerge this appliance or its power cord in water or in any other liquid.

TECHNICAL SPECIFICATIONS

Rated voltage range 220–240 V
 Rated frequency 50/60 Hz
 Rated power 1 000 W

We reserve the right to change the text and technical specifications.

INSTRUCTIONS AND INFORMATION REGARDING THE DISPOSAL OF USED PACKAGING MATERIALS

Dispose of used packaging material at a site designated for waste in your municipality.

DISPOSAL OF USED ELECTRICAL AND ELECTRONIC EQUIPMENT



This symbol on products or original documents means that used electric or electronic products must not be added to ordinary municipal waste. For proper disposal, renewal and recycling hand over these appliances to determined collection points. Alternatively, in some European Union states or other European countries you may return your appliances to the local retailer when buying an equivalent new appliance.

Correct disposal of this product helps save valuable natural resources and prevents potential negative effects on the environment and human health, which could result from improper waste disposal. Ask your local authorities or collection facility for more details.

In accordance with national regulations penalties may be imposed for the incorrect disposal of this type of waste.

For business entities in European Union states

If you want to dispose of electric or electronic appliances, ask your retailer or supplier for the necessary information.

Disposal in other countries outside the European Union.

This symbol is valid in the European Union. If you wish to dispose of this product, request the necessary information about the correct disposal method from the local council or from your retailer.



This product meets all the basic requirements of EU directives related to it.