

# Smoothie Maker

## User guide

EN



# SENCOR®

SBL2200WH-NAA1/SBL2201GR-NAA1  
SBL 2202BL-NAA1 / SBL 2203OR-NAA1  
SBL 2204RD-NAA1 / SBL 2205VT-NAA1  
SBL 2206YL-NAA1 / SBL 2207TQ-NAA1  
SBL 2208RS-NAA1

Before using this appliance, familiarize yourself with its user guide, even if you are already familiar with using similar appliances. Use the appliance only as described in the user guide. Keep the guide for later use.

At least for the duration of the legal claim period or warranty period, we recommend storing the original transport carton, packing material, sales receipt and confirmation of seller's responsibility or the warranty certificate. For shipping, we recommend packing the appliance in the manufacturer's original box.

## CONTENTS

DESCRIPTION OF THE APPLIANCE .....	6
INTENDED USE AND FUNCTIONS OF THE APPLIANCE.....	7
BEFORE FIRST USE .....	7
ASSEMBLING AND DISMANTLING THE APPLIANCE.....	7
USING THE APPLIANCE .....	8
QUICK GUIDE TO PROCESSING INGREDIENTS.....	9
CLEANING AND MAINTENANCE.....	9
STORAGE.....	9
TECHNICAL DATA .....	10

# Smoothie Maker

SBL 2200WH-NAA1 / SBL 2201GR-NAA1 / SBL 2202BL-NAA1 / SBL 2203OR-NAA1 / SBL 2204RD-NAA1 /  
SBL 2205VT-NAA1 / SBL 2206YL-NAA1 / SBL 2207TQ-NAA1 / SBL 2208RS-NAA1

EN

## IMPORTANT SAFEGUARDS

- When using electrical appliances, basic safety precautions should be followed, including the following:

### READ ALL INSTRUCTIONS BEFORE USE

- To disconnect, grasp plug and unplug cord from electrical outlet.
- To protect against risk of electrical shock, do not immerse the cord, plug or motor base in water or any other liquids.
- Do not let cord hang over edge of table or counter or touch hot surfaces, including the stove.
- Never leave appliance unattended when in use.
- Close supervision is necessary when used by or near children.
- Avoid contact with moving parts. Keep hands and utensils out of sport bottle while blending to prevent personal injury or damage to the blender.
- The blade is sharp. Handle with care.
- To reduce the risk of injury, never place cutter-assembly blades on base without sport bottle or food chopper properly attached.
- Do not attempt to bypass or defeat the interlock system.
- Do not blend hot liquids in the blender.
- Do not operate any appliance with a damaged cord or plug or after the appliance malfunctions or is dropped or damaged in any manner. Return the appliance to the nearest Authorized for examination, repair or electrical mechanical adjustment. This appliance has important markings on the plug blade. The attachment plug or entire cordset (if plug is molded onto cord) is not suitable for replacement. If damaged, the appliance shall be replaced.

# Smoothie Maker

SBL 2200WH-NAA1 / SBL 2201GR-NAA1 / SBL 2202BL-NAA1 / SBL 2203OR-NAA1 / SBL 2204RD-NAA1 /  
SBL 2205VT-NAA1 / SBL 2206YL-NAA1 / SBL 2207TQ-NAA1 / SBL 2208RS-NAA1

- Do not use outdoors or for commercial purposes; this appliance is for household use only.
- Always operate on a flat surface.
- Unplug the blender when not in use, before taking off or putting on parts and before cleaning.
- Use this appliance for its intended use as described in this manual. The use of attachments not made by the manufacturer, including canning or ordinary jar and processing assembly parts, is not recommended and may cause fire, electric shock, or a risk of injury to persons.
- This blender does not have any user serviceable parts. Any servicing should be performed by an authorized service representative.

## **SAVE THESE INSTRUCTIONS THIS PRODUCT IS FOR HOUSEHOLD USE ONLY**

### **POWER CORD INSTRUCTIONS**

**Please follow the instructions below to ensure the safe use of the power cord.**

- This appliance is equipped with a polarized plug. This type of plug has one blade that is wider than the other. This plug will fit in a polarized outlet only one way.
- This is a safety feature intended to help reduce the risk of electrical shock. If you are unable to insert the plug into the outlet, reverse the plug and try again. If it still does not fit, contact a qualified electrician to replace the obsolete outlet. Do not attempt to defeat the safety purpose of the polarized plug by modifying the plug in any way.

# Smoothie Maker

SBL 2200WH-NAA1 / SBL 2201GR-NAA1 / SBL 2202BL-NAA1 / SBL 2203OR-NAA1 / SBL 2204RD-NAA1 /  
SBL 2205VT-NAA1 / SBL 2206YL-NAA1 / SBL 2207TQ-NAA1 / SBL 2208RS-NAA1

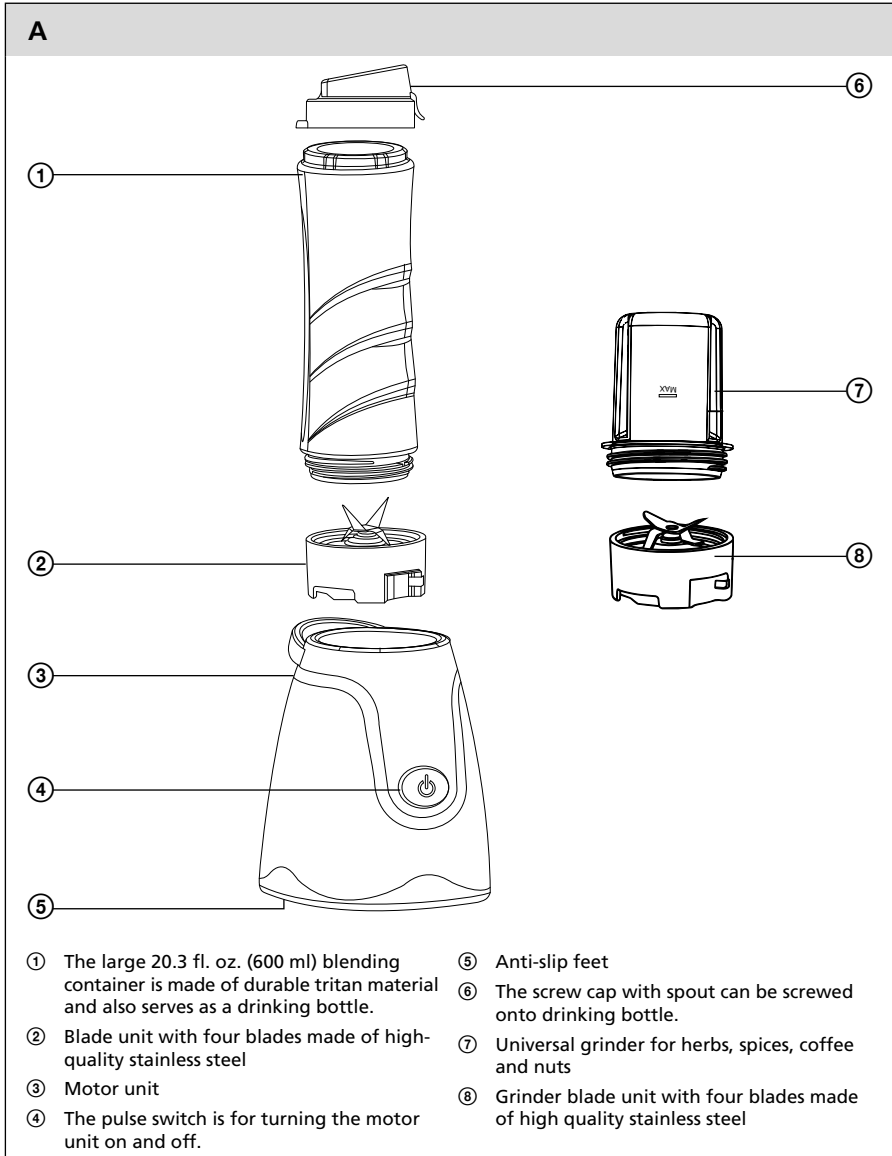
EN

- You may use an extension cord, if necessary, but be certain to follow these guidelines:
  - The marked electrical rating of the extension cord must be at least as great as the electrical rating of the appliance, indicated on the appliance label.
  - The extension must be arranged so that it will not drape over the countertop or tabletop, where it can be pulled on by children or tripped over unintentionally.
  - Do not pull, twist or otherwise abuse the power cord.

# Smoothie Maker

SBL 2200WH-NAA1 / SBL 2201GR-NAA1 / SBL 2202BL-NAA1 / SBL 2203OR-NAA1 / SBL 2204RD-NAA1 /  
SBL 2205VT-NAA1 / SBL 2206YL-NAA1 / SBL 2207TQ-NAA1 / SBL 2208RS-NAA1

## DESCRIPTION OF THE APPLIANCE



# Smoothie Maker

SBL 2200WH-NAA1 / SBL 2201GR-NAA1 / SBL 2202BL-NAA1 / SBL 2203OR-NAA1 / SBL 2204RD-NAA1 / SBL 2205VT-NAA1 / SBL 2206YL-NAA1 / SBL 2207TQ-NAA1 / SBL 2208RS-NAA1

EN

## INTENDED USE AND FUNCTIONS OF THE APPLIANCE

- This Smoothie Maker is ideal for preparing fresh fruit or fitness drinks, milkshakes, mixed drinks, excellent salsa, cream soups, sauces and mixed baby foods. It is equipped with a blade unit with four high-quality stainless-steel blades and blending container that is made of sturdy tritan material and also serve as a practical drinking bottle. The lid has a closable spout to allow easy carrying without spilling. Large bottle fit perfectly into a car cupholder. Anti-slip feet with suction cups ensure excellent stability when the Smoothie Maker is in use. The bottle, lid and grinder container unit are dishwasher safe.

## BEFORE FIRST USE

1. Remove the appliance and its accessories from the packaging.
2. Thoroughly wash all removable parts intended for contact with food (large blending container A①, grinder container A⑦, lid A⑥ and the blade unit A② and A⑧) in warm water with a neutral dish detergent. Then rinse them with clean water and let them dry or thoroughly dry them with a soft towel.



### Warning:

When cleaning the blade unit A② or A⑧, be extra careful to avoid injury. The blade edges A② and A⑧ are sharp.

## ASSEMBLING AND DISMANTLING THE APPLIANCE

- Before you begin to assemble or disassemble the appliance, make sure the motor unit A③ is turned off and unplugged from the wall outlet and the rotating parts are not in motion.

### 1. Assembling and dismantling the blending container and grinder

- 1.1 Turn container A① or A⑦ so that its neck points upward.
- 1.2 Place the blade unit A② or A⑧ against the neck of container A① or A⑦ so that the blades point into A① or A⑦. Screw the blade unit A② and A⑧ onto the neck of container A① or A⑦. Turn the assembled container downward with the blade unit A② and A⑧.



### Note:

Put food and liquids into container A① or A⑦ before you attach the blade unit to it A② or A⑧.

- 1.3 To dismantle, proceed in the opposite sequence.
2. **Attaching and removing the blending container and grinder from the motor unit**
  - 2.1 Place the motor unit A③ on a flat, dry surface, such as a kitchen counter. Onto the motor unit A③, place the blending container so that the arrow indicator on the blade unit A② and A⑧ lines up with the arrow on the motor unit A③. Turn the blending or grinding unit clockwise until it attaches firmly to the motor unit A③. If the blending container assembly is correctly attached to the motor unit A③, it cannot be lifted separately.
  - 2.2 To remove the container from the motor unit A③, proceed in the opposite sequence.
3. **Assembling the drinking bottle**

To assemble the drinking bottle, screw the lid A⑥ onto the neck of bottle A①. Firmly tighten the lid A⑥. When carrying, make sure the spout is properly closed, so that the bottle's contents do not spill.

# Smoothie Maker

SBL 2200WH-NAA1 / SBL 2201GR-NAA1 / SBL 2202BL-NAA1 / SBL 2203OR-NAA1 / SBL 2204RD-NAA1 /  
SBL 2205VT-NAA1 / SBL 2206YL-NAA1 / SBL 2207TQ-NAA1 / SBL 2208RS-NAA1

## USING THE APPLIANCE

1. Make sure that the motor unit A③ is turned off and unplugged.
2. Put the ingredients you want to mix into container A① or A⑦. We recommend putting the food into container A① or A⑦ in the order shown in the chapter "Quick guide to processing ingredients". Containers A① and A⑦ can hold food up to the 20.3 or 3,36 fl. oz. (600 ml or 100 ml) line. Do not put more food or liquid into container A① or A⑦.

**Warning:**

Before pouring hot liquids into blending container A① and blending them, let them cool to 104°F (40°C) or less.

3. Assemble the blending container and then attach the blending container assembly to the motor unit A③ according to the instructions in the chapter "Assembling and dismantling the appliance".
4. Plug the power cable in and press the pulse switch A④ to start the smoothie maker. Press and hold switch A④ for as long as you want to mix. To turn the smoothie maker off, let up on switch A④.

**Warning:**

The maximum operating time is 2 minutes. Do not let the appliance run continuously longer than the time indicated above. Then let the appliance cool for 2 minutes. When processing thicker foods or liquids, do not let the appliance run for more than 1 minute.

5. If food sticks to the blade unit A② or A⑧ or to the wall of the container A① or A⑦, turn the appliance off and unplug it. Make sure that the blade unit A② or A⑧ has stopped turning. Remove the container set from the motor unit A③ and turn it so that the blade unit A② points upward. Remove the blade unit A② or A⑧. Use a plastic spatula to clean the blade unit A② or A⑧ and wall of container A① or A⑦. Put the container together and attach it back to the motor unit A③. Plug the cord in and continue blending or grinding.
6. After blending or grinding is finished, unplug the power cable. Make sure that the blade unit A② or A⑧ has stopped turning, and remove the blending container assembly from the motor unit A③.
7. Turn container A① or A⑦ so that the blade unit A② or A⑧ points upward. Remove the blade unit A② or A⑧ and, if necessary, close bottle A① or A⑦ with the lid A⑥ or pour the contents into another appropriate container.
8. Clean all the parts used according to the instructions in the chapter "Cleaning and maintenance".



# Smoothie Maker

SBL 2200WH-NAA1 / SBL 2201GR-NAA1 / SBL 2202BL-NAA1 / SBL 2203OR-NAA1 / SBL 2204RD-NAA1 /  
SBL 2205VT-NAA1 / SBL 2206YL-NAA1 / SBL 2207TQ-NAA1 / SBL 2208RS-NAA1

EN

## QUICK GUIDE TO PROCESSING INGREDIENTS

- For optimal blending results, put the ingredients in blending container A① in the following order: liquids, fresh fruit, frozen fruit, yogurt and ice cream.
- First cut solid foods, such as fruit or vegetables, into smaller pieces of about 1 in. (2.5 cm) and then mix them.
- This smoothie maker is not intended for mashing potatoes, blending dough, whipping egg whites or grinding raw meat.

Ingredients	Recommended blending time
Fruit and vegetables cut into smaller pieces	30 sec.
Smoothies and cocktails	40 sec.
Salsa	30 sec.
Soups	30 sec.
Baby food, side dishes	40 sec.



### Note:

The listed processing times are only for orientation. Actual blending time depends on the size of the food, the amount, and the desired final consistency.

## CLEANING AND MAINTENANCE

- Before cleaning, make sure the appliance is shut off and unplugged. Disassemble the appliance into its separate parts. Before disassembly, make sure the rotating parts have stopped.
- Thoroughly wash the blade unit A② or A⑧ and the emptied container A① or A⑦ in warm water with a neutral dish detergent. Then rinse these parts under clear running water, dry them with a soft towel or let them air dry. If you have used the lid A⑥, clean it in the same way. We recommend washing all parts immediately after use, so that food does not stick. Dried food is hard to remove. Bottle A① grinder container A⑧ and the lid A⑥ are all dishwasher safe.



### Warning:

When removing and cleaning the blade unit A② or A⑧, be extra cautious to avoid injury. The blade edges A② are sharp.

Some foods may discolor blending containers A① and A⑦. However, this does not affect operation of the appliance.

- To clean the outer surface of the motor unit A③, use a cloth soaked in a weak detergent solution. After applying the detergent, dry the surface with a cloth moistened with clean water, and then wipe it dry.
- Never immerse the motor unit A③ or power cable into water or any other liquid. When cleaning the appliance, do not use solvents, paint thinners or abrasive cleaners. This may damage the surface of the appliance.

## STORAGE

- When you are not using the appliance, store it in a clean, dry place out of the reach of children.

# Smoothie Maker

SBL 2200WH-NAA1 / SBL 2201GR-NAA1 / SBL 2202BL-NAA1 / SBL 2203OR-NAA1 / SBL 2204RD-NAA1 /  
SBL 2205VT-NAA1 / SBL 2206YL-NAA1 / SBL 2207TQ-NAA1 / SBL 2208RS-NAA1

## TECHNICAL DATA

Rated voltage range .....	120 V
Rated frequency .....	60 Hz
Rated power .....	300 W
Noise .....	85 dB(A)

This appliance's declared noise emission value is 85 dB(A), which represents acoustic output level A in relation to an acoustic power reference of 1 pW.

We reserve the right to change text and technical parameters.

# Fábrica de Smoothies

## Guía del usuario

ES



# SENCOR®

SBL2200WH-NAA1/SBL2201GR-NAA1  
SBL 2202BL-NAA1 / SBL 2203OR-NAA1  
SBL 2204RD-NAA1 / SBL 2205VT-NAA1  
SBL 2206YL-NAA1 / SBL 2207TQ-NAA1  
SBL 2208RS-NAA1

Antes de usar este aparato, familiarícese con su guía de usuario, incluso si ya está familiarizado con el uso de aparatos similares. Use el aparato sólo como se describe en la guía del usuario. Conserve la guía para uso posterior.

Por lo menos durante el periodo de reclamo legal o periodo de garantía, recomendamos guardar el cartón de transporte original, el material de empaque, el recibo de ventas y la confirmación de la responsabilidad del vendedor o el certificado de garantía. Para embarque, recomendamos empacar el aparato en la caja original del fabricante.

## CONTENIDO

DESCRIPCIÓN DEL APARATO .....	6
USO PRETENDIDO Y FUNCIONES DEL APARATO .....	7
ANTES DEL PRIMER USO .....	7
ENSAMBLE Y DESENSAMBLE DEL APARATO .....	7
USO DEL APARATO .....	8
GUÍA RÁPIDA PARA PROCESAMIENTO DE INGREDIENTES .....	9
LIMPIEZA Y MANTENIMIENTO .....	9
ALMACENAMIENTO .....	9
DATOS TÉCNICOS .....	10

## PROTECCIONES IMPORTANTES

Cuando use aparatos eléctricos, se deben seguir las precauciones básicas de seguridad, incluyendo las siguientes:

### LEA TODAS LAS INSTRUCCIONES ANTES DE USAR

- Para desconectar, sujete el enchufe y desconecte el cable del tomacorriente eléctrico.
- Para proteger contra riesgo de descarga eléctrica, no sumerja el cable, enchufe o base del motor en agua ningún otro líquido.
- No deje que el cable cuelgue sobre el borde de la mesa o mostrador o toque superficies calientes, incluyendo la estufa.
- Nunca deje el aparato sin atención cuando esté en uso.
- Se necesita supervisión cercana cuando sea usado por o cerca de niños.
- Evite el contacto con las partes móviles. Mantenga las manos y utensilios fuera de la botella deportiva mientras mezcla para evitar lesiones personales o daño a la licuadora.
- La aspa está afilada. Maneje con cuidado.
- Para reducir el riesgo de lesiones, nunca coloque aspas del ensamble del cortador sobre la base sin la botella deportiva o el picador de alimentos sujetos adecuadamente.
- No intente derivar o eliminar el sistema de interbloqueo.
- No mezcle líquidos calientes en la licuadora.

# Fábrica de Smoothies

SBL 2200WH-NAA1 / SBL 2201GR-NAA1 / SBL 2202BL-NAA1 / SBL 2203OR-NAA1 / SBL 2204RD-NAA1 / SBL 2205VT-NAA1 / SBL 2206YL-NAA1 / SBL 2207TQ-NAA1 / SBL 2208RS-NAA1

- No opere ningún aparato con un cable o enchufe dañado o después que falle el aparato, o se deje caer o se dañe en cualquier manera. Regrese el aparato al servicio autorizado más cercana para inspección, reparación, o ajuste eléctrico o mecánico. Este aparato tiene marcas importantes en la clavija del enchufe. El enchufe de conexión o el juego de cable completo (si en enchufe está moldeado en el cable) no es adecuado para reemplazo. Si está dañado, el aparato se deberá reemplazar.
- No lo use para exteriores o para propósitos comerciales; este aparato sólo es para uso doméstico.
- Siempre opere sobre una superficie plana.
- Desconecte la licuadora cuando no esté en uso, antes de colocar o retirar partes y antes de la limpieza.
- Use este aparato para su uso pretendido como se describe en este manual. No se recomienda el uso de accesorios no hechos por el fabricante, incluyendo envases o jarras ordinarias y partes de ensamble de procesamiento, y puede causar incendios, descarga eléctrica, o un riesgo de lesiones a las personas.
- Esta licuadora no tiene partes a las que el usuario pueda dar servicio. Cualquier servicio debe ser realizado por un representante de servicio autorizado.

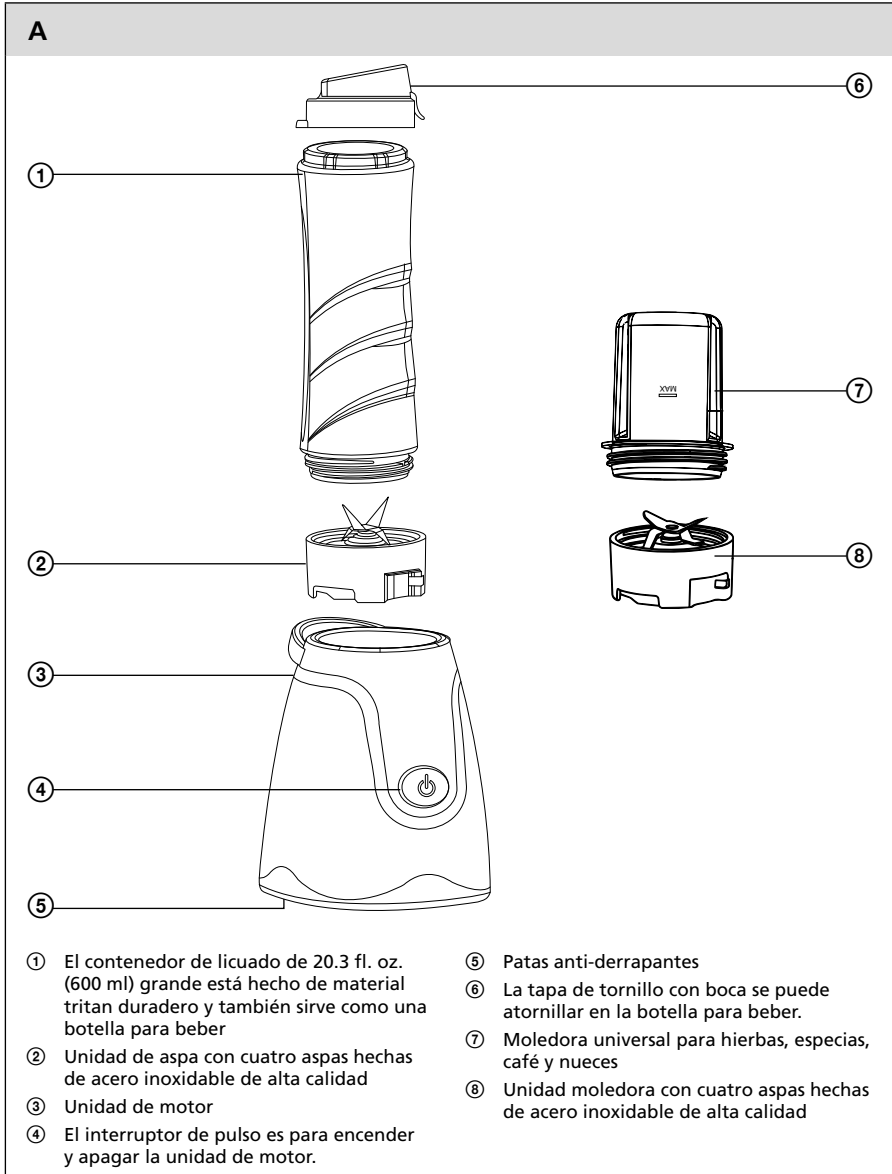
**CONSERVE ESTAS INSTRUCCIONES  
ESTE PRODUCTO ES SÓLO PARA USO DOMÉSTICO**

## INSTRUCCIONES DE CABLE ELÉCTRICO

**Por favor siga las siguientes instrucciones para asegurar el uso seguro del cable eléctrico.**

- Este aparato está equipado con un enchufe polarizado. Este tipo de enchufe tiene una clavija que es más ancha que la otra. Este enchufe se ajustará a un tomacorriente polarizado sólo de una manera.
- Ésta es una característica de seguridad diseñada para ayudar a reducir el riesgo de descargas eléctricas. Si no puede insertar el enchufe en el tomacorriente, invierta el enchufe e intente de nuevo. Si todavía no se ajusta, póngase en contacto con un electricista calificado para reemplazar el tomacorriente obsoleto. No intente eliminar el propósito de seguridad del enchufe polarizado modificando el enchufe de cualquier manera.
- Puede usar un cable de extensión, si es necesario, pero asegúrese de seguir estos reglamentos:
  - La clasificación eléctrica marcada del cable de extensión debe ser por lo menos tanta como la clasificación eléctrica del aparato, indicada en la etiqueta del aparato.
  - La extensión debe estar arreglada de forma que no se envuelva sobre el mostrador, donde pueda ser jalado por niños o con el que se puedan tropezar inadvertidamente.
  - No jale, tuerza, o de otra manera abuse del cable de energía.

## DESCRIPCIÓN DEL APARATO





## USO PRETENDIDO Y FUNCIONES DEL APARATO

- Esta Fábrica de Smoothies es ideal para preparar bebidas de fruta fresca o bebidas saludables, malteadas, bebidas mixtas, salsas excelentes, sopas cremosas, y alimentos mezclados para bebés. Está equipado con una unidad de aspa con cuatro aspas de acero inoxidable de alta calidad y contenedor de licuado que está hechos de material tritan resistente y también sirve como una práctica botella para beber. La tapa tiene una boca que se puede cerrar para permitir el transporte fácil sin derrames. La botella grande se ajusta perfectamente en el portavasos del vehículo. Las patas anti-derrapantes con copas de succión aseguran una estabilidad excelente cuando la Fábrica de Smoothies esté en uso. La botella, tapa y contenedor de la licuadora se pueden lavar en lavavajillas.

## ANTES DEL PRIMER USO

1. Retire el aparato y sus accesorios del empaque.
2. Lave minuciosamente todas las partes removibles que se pretende que estén en contacto con alimentos (contenedor de licuado grande A①, contenedor de licuado A⑦, tapa A⑥ y la unidad de aspa A② y A⑧) en agua tibia con detergente para platos neutro. Después enjuáguelos con agua limpia y deje que sequen o séquelos minuciosamente con una toalla suave.



### Advertencia:

Cuando limpie la unidad de aspa A② o A⑧, tenga cuidado adicional para evitar lesiones. Los bordes de aspa A② y A⑧ son filosos.

## ENSAMBLE Y DEENSAMBLE DEL APARATO

- Antes que comience a ensamblar o desensamblar el aparato, asegúrese que la unidad del motor A③ está apagada y desconectada del tomacorriente y que las partes giratorias no estén en movimiento.

### 1. Ensamble y desensamble de contenedor de licuado y licuadora

- 1.1 Voltee el contenedor A① o A⑦ de forma que su cuello apunte hacia arriba.
- 1.2 Coloque la unidad de aspa A② o A⑧ contra el cuello del contenedor A① o A⑦ de forma que las aspas apunten hacia A① o A⑦. Atornille la unidad de aspa A② y A⑧ sobre el cuello del contenedor A① o A⑦. Gire el contenedor ensamblado con la unidad de aspa A② y A⑧.



### Nota:

Coloque el alimento y líquidos en el contenedor A① o A⑦ antes de conectar la unidad de aspa en A② o A⑧.

- 1.3 Para desensamblar, proceda en la secuencia opuesta.
2. **Colocación y desinstalación de contenedor de licuado y licuadora de la unidad de motor**
  - 2.1 Coloque la unidad de motor A③ sobre una superficie seca y plana, como en un mostrador de cocina. Sobre la unidad de motor A③, coloque el contenedor de licuado de forma que el indicador de la flecha en la unidad de aspa A② y A⑧ se alinee con la flecha en la unidad de motor A③. Gire la unidad de mezclado o licuado en sentido de las manecillas del reloj hasta que se conecte firmemente a la unidad del motor A③. Si el ensamble del contenedor de licuado está conectado adecuadamente a la unidad de motor A③, no se puede levantar por separado.
  - 2.2 Para retirar el contenedor de la unidad de motor A③, continúe en la secuencia opuesta.
3. **Ensamble de botella para beber**

Para ensamblar la botella para beber, atornille la tapa A⑥ sobre el cuello de la botella A①. Apriete firmemente la tapa A⑥. Cuando la transporte, asegúrese que la boca esté cerrada adecuadamente, de forma que no se derrame el contenido de la botella.

## USO DEL APARATO

1. Asegúrese que la unidad de motor A③ esté apagada y desconectada.
2. Coloque los ingredientes que desee mezclar en el contenedor A① o A⑦. Recomendamos poner los alimentos en el contenedor A① o A⑦ en el orden mostrado en el capítulo "Guía rápida para procesamiento de ingredientes". Los contenedores A① y A⑦ pueden contener alimentos hasta la línea de 20.3 o 3.36 fl. oz. (600 ml o 100 ml). No coloque más alimentos o líquido en el contenedor A① o A⑦.



### Advertencia:

Antes de verter líquidos calientes en el contenedor de licuado A① y licuarlos, déjelos que enfrién a 104°F (40°C) o menos.

3. Ensamble el contenedor de licuado y conecte el ensamble del contenedor de licuado a la unidad de motor A③ de acuerdo con las instrucciones en el capítulo "Ensamble y desensamble del aparato".
4. Conecte el cable eléctrico y presione el interruptor de pulso A④ para arrancar la fábrica de smoothies. Presione y sostenga el interruptor A④ durante el tiempo que desee mezclar. Para apagar la fábrica de smoothies, suelte el interruptor A④.



### Advertencia:

El tiempo de operación máximo es de 2 minutos. No deje que el aparato opere continuamente por más del tiempo indicado anteriormente. Después deje que el aparato se enfríe durante 2 minutos. Cuando procese alimentos o líquidos más espesos, no deje que el aparato opere por más de 1 minuto.

5. Si el alimento se adhiere a la unidad de aspa A② o A⑧ o a la pared del contenedor A① o A⑦, apague el aparato y desconéctelo. Asegúrese que la unidad de aspa A② o A⑧ haya dejado de girar. Retire el juego de contenedor de la unidad del motor A③ y voltéelo de forma que la unidad de aspa A② apunte hacia arriba. Retire la unidad de aspa A② o A⑧. Use una espátula de plástico para limpiar la unidad de aspa A② o A⑧ y la pared del contenedor A① o A⑦. Ensamble el contenedor vuelva a conectarlo a la unidad de motor A③. Conecte el cable y continúe licuando o moliendo.
6. Después de terminar el licuado o molido, desconecte el cable de energía. Asegúrese que la unidad de aspa A② o A⑧ haya dejado de girar, y retire el ensamble del contenedor de licuado de la unidad de motor A③.
7. Voltee el contenedor A① o A⑦ de forma que la unidad de aspa A② o A⑧ apunte hacia arriba. Retire la unidad de aspa A② o A⑧ y, si es necesario, cierre la botella A① o A⑦ con la tapa A⑥ o vierta el contenido en otro contenedor adecuado.
8. Limpie todas las partes usadas de acuerdo con las instrucciones en el capítulo "Limpieza y mantenimiento".

## GUÍA RÁPIDA PARA PROCESAMIENTO DE INGREDIENTES

- Para resultados de licuado óptimos, coloque los ingredientes en el contenedor de licuado A① en el siguiente orden: líquidos, fruta fresca, fruta congelada, yogurt y helado.
- Primero corte alimentos sólidos, tales como fruta o vegetales, en piezas más pequeñas de aproximadamente 1 pulg. (2.5 cm) y después mézclelas.
- Esta fábrica de smoothies no está diseñada para hacer puré de papas, mezclar masa, batir claras de huevo o moler carne cruda.

Ingredientes	Tiempo de licuado recomendado
Fruta y vegetales cortados en piezas más pequeñas	30 seg.
Smoothies y cocteles	40 seg.
Salsa	30 seg.
Sopas	30 seg.
Alimento para bebés, guarniciones	40 seg.



### Nota:

Los tiempos de procesamiento indicados sólo son para orientación. El tiempo de licuado real depende del tamaño de los alimentos, la cantidad, y la consistencia final deseada.

## LIMPIEZA Y MANTENIMIENTO

- Antes de limpiar, asegúrese que el aparato esté apagado y desconectado. Desensamble el aparato en sus partes separadas. Antes de desensamblar, asegúrese que las partes giratorias se hayan detenido.
- Lave minuciosamente la unidad de aspa A② o A⑧ y el contenedor vacío A① o A⑦ en agua tibia con un detergente para platos neutro. Después enjuague estas partes bajo agua de la llave, séquelas con una toalla suave o déjelas secar al aire. Si usó la tapa A⑥, límpiela de la misma manera. Recomendamos lavar todas las partes inmediatamente después del uso, de forma que no se adhieran los alimentos. Los alimentos secos son difíciles de retirar. La botella A① el contenedor de molido A⑧ y la tapa A⑥ son seguros para lavarse en lavavajillas.



### Advertencia:

Cuando retire y limpie la unidad de aspa A② o A⑧, tenga cuidado adicional para evitar lesiones. Los bordes de aspa A② son filosos.

Algunos alimentos pueden decolorar los contenedores de alimentos A① y A⑦. Sin embargo, esto no afecta la operación del aparato.

- Para limpiar la superficie externa de la unidad de motor A③, use una tela humedecida en una solución de detergente suave. Después de aplicar el detergente, seque la superficie con una tela humedecida con agua limpia, y séquela.
- Nunca sumerja la unidad de motor A③ o el cable eléctrico en agua o en ningún otro líquido. Cuando limpie el aparato, no use solventes, adelgazadores de pintura o limpiadores abrasivos. Esto puede dañar la superficie del aparato.

## ALMACENAMIENTO

- Cuando no use el aparato, guárdelo en un lugar limpio y seco fuera del alcance de los niños.

## DATOS TÉCNICOS

Rango de voltaje nominal .....	120 V
Frecuencia nominal .....	60 Hz
Energía nominal .....	300 W
Ruido .....	85 dB(A)

El valor de emisión de ruido declarado de este aparato es de 85 dB(A), que representa un nivel de salida acústica A en relación con una referencia de potencia acústica de 1 pW.

Nos reservamos el derecho de cambiar el texto y los parámetros técnicos.

# Appareil à Smoothies

Guide de l'utilisateur

FR



## SENCOR®

SBL2200WH-NAA1/SBL2201GR-NAA1  
SBL 2202BL-NAA1 / SBL 2203OR-NAA1  
SBL 2204RD-NAA1 / SBL 2205VT-NAA1  
SBL 2206YL-NAA1 / SBL 2207TQ-NAA1  
SBL 2208RS-NAA1

Avant d'utiliser cet appareil, veuillez lire entièrement le manuel d'utilisation, même si vous savez déjà vous servir d'appareils similaires. Utilisez uniquement l'appareil tel que décrit dans le manuel d'utilisation. Conservez ce guide pour une utilisation ultérieure.

Au moins pendant la durée de la période de garantie légale ou de la période de garantie, nous vous recommandons de conserver le carton de transport d'origine, le matériel d'emballage, le reçu de vente et la confirmation de la responsabilité du vendeur ou le certificat de garantie. Pour l'expédition, nous recommandons d'emballer l'appareil dans la boîte d'origine du fabricant.

## TABLE DES MATIÈRES

DESCRIPTION DE L'APPAREIL .....	6
UTILISATION PRÉVUE ET FONCTIONS DE L'APPAREIL.....	7
AVANT LA PREMIÈRE UTILISATION.....	7
MONTAGE ET DÉMONTAGE DE L'APPAREIL .....	7
UTILISATION DE L'APPAREIL .....	8
GUIDE RAPIDE POUR MIXER DES INGRÉDIENTS .....	9
NETTOYAGE ET ENTRETIEN .....	9
RANGEMENT.....	9
DONNÉES TECHNIQUES.....	10

## MESURES DE PROTECTION IMPORTANTES

Lors de l'utilisation des appareils électriques, veuillez respecter les consignes de sécurité, notamment :

### LISEZ TOUTES LES INSTRUCTIONS AVANT D'UTILISER CET APPAREIL

- Pour débrancher l'appareil, saisissez la fiche et retirez le cordon de la prise électrique.
- Pour éviter tout risque de choc électrique, évitez d'immerger le cordon d'alimentation, la fiche ou le bloc moteur dans de l'eau ou tout autre liquide.
- Évitez de laisser pendre le cordon d'alimentation sur le bord d'une table ou qu'il ne touche les surfaces chaudes telles que la cuisinière.
- Ne laissez jamais l'appareil fonctionner sans surveillance.
- Assurez une surveillance rapprochée lorsque l'appareil est manipulé par ou à proximité des enfants.
- Évitez de rentrer en contact avec les composants mobiles. Évitez de toucher la bouteille de sport avec les mains et les ustensiles lors du mélange afin d'éviter les blessures corporelles ou les dommages au mixeur.
- La lame est coupante. Manipulez avec précaution.
- Pour réduire le risque de blessure, ne placez jamais les lames de l'ensemble de coupe sur la base sans avoir correctement fixé la bouteille de sport ou le hachoir à aliments.
- N'essayez pas de contourner ou de détériorer le système de verrouillage.
- Évitez de mélanger les liquides chauds dans le mixeur.
- N'utilisez pas l'appareil lorsque son cordon d'alimentation ou sa fiche sont endommagés, lorsqu'il présente un dysfonctionnement, lorsqu'il a subi une chute ou qu'il présente quelque autre dommage. Retournez l'appareil au service

# Appareil à Smoothies

SBL 2200WH-NAA1 / SBL 2201GR-NAA1 / SBL 2202BL-NAA1 / SBL 2203OR-NAA1 / SBL 2204RD-NAA1 / SBL 2205VT-NAA1 / SBL 2206YL-NAA1 / SBL 2207TQ-NAA1 / SBL 2208RS-NAA1

d'entretien agréé le plus proche pour examen, réparation ou pour réglage électrique et mécanique. La broche de fiche de cet appareil porte des marques importantes. La cheville de fixation ou le cordon (si la fiche est moulée sur le cordon) n'est pas approprié pour remplacement. Remplacez l'appareil en cas de dommage.

- Évitez de l'utiliser à l'extérieur ou à des fins commerciales; cet appareil est uniquement destiné à un usage domestique.
- Veuillez à toujours l'utiliser sur une surface plane.
- Débranchez l'appareil lorsque vous ne l'utilisez pas, avant le montage ou le retrait de ses pièces ou avant son nettoyage.
- Utilisez l'appareil uniquement aux fins pour lesquelles il a été conçu, conformément aux instructions du présent manuel. L'utilisation de pièces fabriquées par une autre entreprise, y compris les boîtes de conserve ou les pots ordinaires, ainsi que les pièces de montage, n'est pas recommandée et peut provoquer un incendie, une électrocution ou un risque de blessure corporelle.
- Ce mixeur ne possède pas de pièces réparables par l'utilisateur.
  - Toute opération de maintenance doit être assurée par un centre d'entretien agréé.

## **CONSERVEZ CES INSTRUCTIONS**

**CET APPAREIL EST DESTINÉ À UN USAGE DOMESTIQUE  
UNIQUEMENT.**

## **INSTRUCTIONS RELATIVES AU CORDON D'ALIMENTATION**

**Veillez suivre les instructions ci-dessous pour assurer une utilisation sûre du cordon d'alimentation.**

- L'appareil est équipé d'une fiche polarisée. Ce type de fiche possède une lame plus large que l'autre. Cette fiche s'adapte à une sortie polarisée dans un seul sens.



# Appareil à Smoothies

SBL 2200WH-NAA1 / SBL 2201GR-NAA1 / SBL 2202BL-NAA1 / SBL 2203OR-NAA1 / SBL 2204RD-NAA1 /  
SBL 2205VT-NAA1 / SBL 2206YL-NAA1 / SBL 2207TQ-NAA1 / SBL 2208RS-NAA1

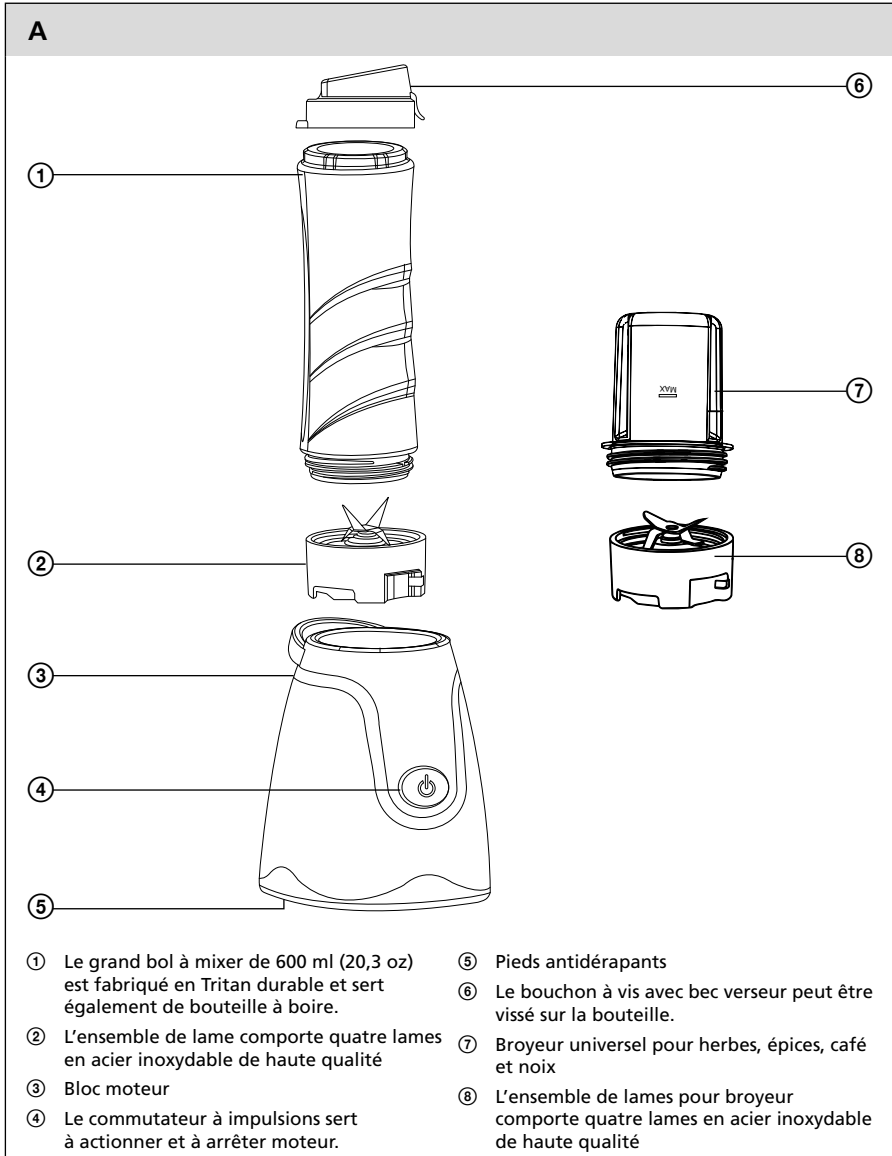
FR

- Il s'agit d'une mesure de sécurité visant à réduire le risque de choc électrique. Si vous ne parvenez pas à insérer la fiche dans la prise, inversez-la et réessayez. Si elle ne s'insère toujours pas, contactez un électricien qualifié pour remplacer la prise obsolète. N'essayez pas de détériorer le dispositif de sécurité de la fiche polarisée en la modifiant de quelque manière que ce soit.
- Vous pouvez utiliser une rallonge, si nécessaire, cependant assurez-vous de suivre les consignes suivantes :
  - La puissance nominale de la rallonge doit être au moins aussi élevée que la puissance électrique de l'appareil, indiquée sur l'étiquette.
  - Posez la rallonge de telle sorte qu'elle ne pende pas du plan de travail ou de la table, car des enfants pourraient le tirer ou y trébucher accidentellement.
  - Évitez de tirer, de tordre ou d'endommager le cordon d'alimentation.

# Appareil à Smoothies

SBL 2200WH-NAA1 / SBL 2201GR-NAA1 / SBL 2202BL-NAA1 / SBL 2203OR-NAA1 / SBL 2204RD-NAA1 /  
SBL 2205VT-NAA1 / SBL 2206YL-NAA1 / SBL 2207TQ-NAA1 / SBL 2208RS-NAA1

## DESCRIPTION DE L'APPAREIL



# Appareil à Smoothies

SBL 2200WH-NAA1 / SBL 2201GR-NAA1 / SBL 2202BL-NAA1 / SBL 2203OR-NAA1 / SBL 2204RD-NAA1 / SBL 2205VT-NAA1 / SBL 2206YL-NAA1 / SBL 2207TQ-NAA1 / SBL 2208RS-NAA1

FR

## UTILISATION PRÉVUE ET FONCTIONS DE L'APPAREIL

- Cet appareil à Smoothies est idéal pour la fabrication de boissons fraîches ou énergétiques, de milkshakes, des boissons mélangées, de sauces exceptionnelles, de soupes crémeuses, et de purées pour bébés. Il est équipé d'un ensemble de lames avec quatre lames en acier inoxydable de haute qualité et un bol de mixage conçu en Tritan solide et qui peut également servir de bouteille à boire. Le couvercle dispose d'un bec verrouillable pour faciliter le transport et éviter les déversements. Les grandes bouteilles s'intègrent parfaitement dans un porte-gobelet de voiture. Les pieds antidérapants avec ventouses assurent une excellente stabilité lorsque l'appareil à smoothies est utilisé. La bouteille, le couvercle et le contenant pour produit moulu peuvent être lavés dans le lave-vaisselle.

## AVANT LA PREMIÈRE UTILISATION

1. Retirez l'appareil et ses accessoires hors de l'emballage.
2. Nettoyez soigneusement toutes les pièces amovibles destinées être en contact avec des aliments (grand bol à mixer A①, contenant pour produit moulu A⑦, couvercle A⑥ et l'ensemble de lames A② et A⑧) dans de l'eau chaude avec un détergent neutre. Ensuite, rincez-les à l'eau claire et laissez-les sécher ou séchez-les complètement avec une serviette douce.



### Avertissement !

Lors du nettoyage de l'ensemble de lames A② ou A⑧, soyez particulièrement vigilant à ne pas vous blesser. Les lames A② et A⑧ sont très tranchantes.

## MONTAGE ET DÉMONTAGE DE L'APPAREIL

- Avant de commencer à assembler ou démonter l'appareil, assurez-vous que le bloc moteur A③ est éteint et débranché de la prise murale et que les pièces tournantes sont arrêtées.

### 1. Montage et démontage du bol à mixer et du broyeur

- 1.1 Tournez le bol A① ou A⑦ de sorte que son col soit orienté vers le haut.
- 1.2 Placez l'ensemble de lames A② ou A⑧ contre le col du bol A① ou A⑦ de sorte que les lames soient orientées dans le bol A① ou A⑦. Vissez l'ensemble de lames A② et A⑧ sur le col du bol A① ou A⑦. Tournez le bol assemblé vers le bas avec l'ensemble de lames A② et A⑧.



### Remarque :

mettez des aliments et des liquides dans le bol A① ou A⑦ avant de fixer l'ensemble de lames A② ou A⑧.

- 1.3 Pour le démontage, suivez la procédure dans le sens inverse.
2. **Fixation et retrait du bol à mixer et du mixeur du bloc moteur**
  - 2.1 Placez le bloc moteur A③ sur une surface plane et sèche, comme un plan de travail de cuisine. Sur le bloc moteur A③, positionnez le bol à mixer de sorte que la flèche marquée sur l'ensemble de lames A② et A⑧ soit alignée avec la flèche marquée sur le bloc moteur A③. Tournez l'unité de mixage et de broyage dans le sens horaire jusqu'à ce qu'il soit correctement fixé sur le bloc moteur A③. Si l'ensemble du bol à mixer est correctement fixé sur le bloc moteur A③, ils ne pourront pas être soulevés séparément.
  - 2.2 Pour retirer le bol du bloc moteur A③, procédez dans l'ordre inverse.
3. **Assemblage de la bouteille**

Pour monter la bouteille, visser le couvercle A⑥ sur le col de la bouteille A①. Serrez fermement le couvercle A⑥. Lorsque vous transportez la bouteille, assurez-vous que le bec soit correctement fermé, afin que le contenu de la bouteille ne puisse pas se renverser.

# Appareil à Smoothies

SBL 2200WH-NAA1 / SBL 2201GR-NAA1 / SBL 2202BL-NAA1 / SBL 2203OR-NAA1 / SBL 2204RD-NAA1 / SBL 2205VT-NAA1 / SBL 2206YL-NAA1 / SBL 2207TQ-NAA1 / SBL 2208RS-NAA1

## UTILISATION DE L'APPAREIL

1. Assurez-vous que le bloc moteur A③ est débranché.
2. Ajoutez les ingrédients que vous souhaitez mixer dans le bol A① ou A⑦. Nous recommandons de placer les aliments dans le bol A① ou A⑦ dans l'ordre indiqué au chapitre Guide rapide pour le traitement des ingrédients. Les bols A① et A⑦ peuvent contenir jusqu'à 600 ml ou 100 ml (20,3 ou 3,36 oz.) d'aliments. Ne placez pas plus de nourriture ou de liquide dans les bols A① ou A⑦.



### Avertissement !

Avant de verser des liquides chauds dans les bols à mixer A① et les mixer, laissez-les refroidir à une température de 104 °F (40 °C) ou moins.

3. Assemblez le bol à mixer, puis fixer l'ensemble du bol à mixer au bloc moteur A③ conformément aux instructions du chapitre « Montage et démontage de l'appareil ».
4. Branchez le câble d'alimentation et appuyez sur le commutateur d'impulsions A④ pour démarrer l'appareil. Appuyez et maintenez l'interrupteur A④ enfoncé aussi longtemps que vous souhaitez mixer. Pour éteindre l'appareil à smoothies, relâchez l'interrupteur A④.



### Avertissement !

La durée maximale de fonctionnement de votre robot est de 2 minutes. Ne laissez pas l'appareil fonctionner plus longtemps que la durée indiquée ci-dessus. Laissez ensuite l'appareil refroidir pendant 2 minutes. Lorsque vous mixez des aliments plus durs ou des liquides plus épais, ne laissez pas l'appareil fonctionner pendant plus d'une minute.

5. Si l'aliment colle à l'ensemble de lames A② ou A⑥ ou à la paroi du bol à mixer A① ou A⑦, éteignez l'appareil et débranchez-le. Assurez-vous que l'ensemble de lames A② ou A⑥ ne tourne plus. Retirez le pot à mixer de l'unité moteur A③ et tournez-le de sorte que l'ensemble de lames A② soit orienté vers le haut. Retirez l'ensemble de lames A② ou A⑥. Utilisez une spatule en plastique pour nettoyer l'ensemble de lames A② ou A⑥ et les parois des bols à mixer A① ou A⑦. Assemblez à nouveau le bol à mixer et placez-le sur l'unité motrice A③. Branchez le cordon d'alimentation et poursuivez le mixage ou le broyage.
6. Une fois le mixage ou le broyage terminé, débranchez le câble d'alimentation. Vérifiez que l'ensemble de lames A② ou A⑥ ne tourne plus et retirez le bol à mixer de l'unité motrice A③.
7. Renversez le bol à mixer A① ou A⑦ de sorte que l'ensemble de lames A② ou A⑥ pointe vers le haut. Retirez l'ensemble de lames A② ou A⑥ et, si nécessaire, fermez la bouteille A① ou A⑦ avec le couvercle A⑥ ou versez le contenu dans un autre récipient adapté.
8. Nettoyez ensuite toutes les pièces conformément aux instructions du chapitre « Nettoyage et entretien ».

# Appareil à Smoothies

SBL 2200WH-NAA1 / SBL 2201GR-NAA1 / SBL 2202BL-NAA1 / SBL 2203OR-NAA1 / SBL 2204RD-NAA1 / SBL 2205VT-NAA1 / SBL 2206YL-NAA1 / SBL 2207TQ-NAA1 / SBL 2208RS-NAA1

FR

## GUIDE RAPIDE POUR MIXER DES INGRÉDIENTS

- Pour un mixage optimum, placez les ingrédients dans le bol à mixer A① dans l'ordre suivant : liquides, fruits frais, fruits congelés, yogourt et crème glacée
- Coupez d'abord des aliments solides, comme les fruits ou les légumes, en petits morceaux d'environ 2,5 cm (1 po), puis mixez-les.
- Cet appareil à smoothies n'est pas destiné à faire de la purée de pommes de terre, à mélanger de la pâte, à fouetter les blancs d'œufs ou à hacher de la viande crue.

Ingrédients	Temps de mixage recommandé
Fruits et légumes coupés en petits morceaux	30 s.
Smoothies et cocktails	40 s.
Salsa	30 s.
Soupes	30 s.
Nourriture pour bébé, accompagnements	40 s.



### Remarque :

Les durées de mélange ci-dessus sont fournies uniquement à titre de référence. Le temps de mixage réel dépend de la taille des ingrédients, de leur quantité et de la consistance finale désirée.

## NETTOYAGE ET ENTRETIEN

- Avant de nettoyer l'appareil, assurez-vous qu'il soit éteint et débranché. Démontez l'accessoire de ses pièces individuelles. Avant de procéder au démontage, assurez-vous que les pièces en rotation sont arrêtées.
- Lavez soigneusement l'ensemble de lames A② ou A⑥ et le bol à mixer vide A① ou A⑦ dans de l'eau chaude avec un détergent à vaisselle neutre. Ensuite, rincez ces parties sous l'eau claire, séchez-les avec une serviette douce ou laissez-les sécher à l'air. Si vous avez utilisé le couvercle A⑥, nettoyez-le de la même manière. Nous recommandons de laver toutes les pièces immédiatement après utilisation afin que les aliments ne collent pas. Les aliments séchés sont difficiles à enlever. La bouteille A①, le contenant pour produit moulu A⑥ et le couvercle A⑥ peuvent être lavés dans le lave-vaisselle.



### Avertissement !

Lors du nettoyage de l'ensemble de lames A② ou A⑥, soyez encore plus prudent pour éviter les blessures. Les lames A② sont très tranchantes.

Certains aliments peuvent décolorer les bols à mixer A① et A⑦. Cependant, cela n'affecte en rien le fonctionnement de l'appareil.

- Pour nettoyer la surface extérieure du bloc moteur A③, utilisez un chiffon trempé dans une solution douce de détergent. Après l'application du détergent de cuisine, essuyez la surface avec un chiffon légèrement humide, puis séchez-la.
- Ne plongez jamais le bloc moteur A③ ou le cordon d'alimentation dans de l'eau ou d'autres liquides. Lors du nettoyage de l'appareil, n'utilisez pas de solvants, de diluants ou de nettoyants abrasifs. Cela pourrait endommager la surface de l'appareil.

## RANGEMENT

- Lorsque vous n'utilisez pas l'appareil, rangez-le dans un endroit sec et hors de portée des enfants.

## DONNÉES TECHNIQUES

Plage de tension nominale .....	120 V
Fréquence nominale .....	60 Hz
Puissance d'entrée nominale.....	300 W
Niveau de bruit .....	85 dB(A)

Le niveau annoncé d'émissions acoustiques de l'appareil est de 85 dB(A), ce qui correspond à un niveau A de puissance acoustique par rapport à la puissance acoustique de référence égale à 1 pW.

Nous nous réservons le droit de modifier le texte et les caractéristiques techniques.

# Appareil à Smoothies

SBL 2200WH-NAA1 / SBL 2201GR-NAA1 / SBL 2202BL-NAA1 / SBL 2203OR-NAA1 / SBL 2204RD-NAA1 /  
SBL 2205VT-NAA1 / SBL 2206YL-NAA1 / SBL 2207TQ-NAA1 / SBL 2208RS-NAA1

FR

# Appareil à Smoothies

SBL 2200WH-NAA1 / SBL 2201GR-NAA1 / SBL 2202BL-NAA1 / SBL 2203OR-NAA1 / SBL 2204RD-NAA1 /  
SBL 2205VT-NAA1 / SBL 2206YL-NAA1 / SBL 2207TQ-NAA1 / SBL 2208RS-NAA1