



SENCOR®

STS 6070GG-NAA1 / STS 6071GR-NAA1
STS 6072BL-NAA1 / STS 6073VT-NAA1
STS 6074RD-NAA1 / STS 6075RS-NAA1
STS 6076GD-NAA1 / STS 6077CH-NAA1
STS 6078BK-NAA1

Before using this appliance, please read the user manual thoroughly, even if you are already familiar with using similar types of appliances. Use the appliance only as described in the user manual. Keep the user manual in a safe place where it will always be ready for future use.

We recommend saving the original cardboard box, packaging material, purchase receipt, vendor's responsibility statement and warranty card for at least the duration of the warranty. If the appliance is transported, we recommend packaging it in its original materials.

TABLE OF CONTENTS

IMPORTANT SAFEGUARDS	3
DESCRIPTION OF THE APPLIANCE	7
BEFORE FIRST USE	8
OPERATING THE APPLIANCE	8
TIPS AND ADVICE FOR SETTING TOASTING INTENSITY	9
CLEANING AND MAINTENANCE	10
TECHNICAL SPECIFICATIONS	10

IMPORTANT SAFEGUARDS

READ ALL INSTRUCTIONS

When using electrical appliances, basic safety precautions should always be followed including the following:

- Read all instructions before first use and save them for future reference.
- This appliance can be used by children 8 years old and over and by people with physical, sensory or mental impairments, or without experience or knowledge, if they are supervised or have been instructed on using the appliance safely and understand the hazards involved. Children must not perform cleaning and maintenance unless they are more than 8 years old and are supervised. Keep the appliance and its power cord out of the reach of children under 8 years old. Children must not play with the appliance.
- Before plugging the appliance in, make sure that the voltage indicated on the rating label matches the voltage of the power socket.



Warning!

This appliance has a polarized power plug (one wide prong) that reduces the risk of electric shock. The plug fits only one way into a polarized power socket. Do not defeat the safety purpose of the power plug by modifying it in any way or using an adaptor. If the power plug does not fit, reverse it. If it still does not fit, please consult a qualified electrician.

- The appliance is equipped with a short power cord as a safety precaution to prevent personal injury or property damage resulting from pulling, tripping over or tangling a longer cord.
- An extension cord may be used only if extra care is exercised. If an extension cord is used, the electrical rating marked on the

Toaster

STS 6070GG-NAA1 / STS 6071GR-NAA1 / STS 6072BL-NAA1 / STS 6073VT-NAA1 / STS 6074RD-NAA1
STS 6075RS-NAA1 / STS 6076GD-NAA1 / STS 6077CH-NAA1 / STS 6078BK-NAA1

extension cord must be at least as high as the electrical rating of the appliance.

- The appliance is not intended to be operated with an external timer or separate remote-control system.
- This appliance is intended for household use only. Never use the appliance for purposes other than those intended.
- Do not place the appliance on or near an electric or gas stove, in a heated oven, or anywhere else where it may touch other heat sources.
- Always place and operate the appliance on a stable, dry, flat surface.
- Do not use the appliance in moving vehicles or boats. Do not use outdoors.
- Do not operate the appliance on a sink drain board.
- This appliance is intended for toasting bread, bagels or toaster pastries only. Do not add any ingredients (such as butter, jelly or marmalade) to the bread, bagel or any other item before toasting. Do not insert food packaging into the toaster. This may cause fire or injury.
- Always make sure the bread, bagel or toaster pastry fits in the toasting slots, does not protrude above the toasting slots, and is not too thick or long, because this may jam the toasting slot.



Warning!

Do not operate the appliance near curtains, cleaning wipes, wooden surfaces or other flammable materials, because the bread, bagel or toaster pastry may catch on fire.

- To ensure correct air circulation, keep a minimum of 6 in (15cm) of space surrounding the sides of the appliance and 12 in (30cm) above.
- Do not cover the toasting slots when the appliance is in operation. Covering the toasting slots will prevent correct air circulation and may cause a fire.

Toaster

STS 6070GG-NAA1 / STS 6071GR-NAA1 / STS 6072BL-NAA1 / STS 6073VT-NAA1 / STS 6074RD-NAA1
STS 6075RS-NAA1 / STS 6076GD-NAA1 / STS 6077CH-NAA1 / STS 6078BK-NAA1

EN

- Do not operate the appliance with toast placed directly on top of the toasting slots. This can damage the appliance or cause fire or injury.
- Surfaces on the appliance may get hot while it is operating. The surfaces remain hot after operation. Do not touch hot surfaces. Use handles or knobs.
- Do not leave the toaster unattended when in use, because toast may get jammed in the toasting slots.
- If the bread gets jammed in the toaster, turn the appliance off and unplug it. Let the appliance cool down and then carefully remove the jammed item.



Warning!

Do not insert a knife or any other metal utensil into the toasting slots to remove jammed items from the toaster. This can damage the appliance or cause personal injury.

- Do not use the appliance without its crumb tray in place. The crumb tray must be cleaned regularly so that crumbs do not accumulate. A fire can occur if the crumbs are not removed regularly.
- Always unplug the appliance when it is not in use, if you leave it unattended, intend to move it, or before cleaning or storing. Allow to cool before putting on or taking off parts.
- Let the appliance cool down before sliding the crumb tray out, and before moving, cleaning or storing.
- Store the appliance out of the reach of children.
- To protect against electrical shock, do not immerse any part of the appliance in water or any other liquid.
- Do not unplug the appliance by pulling on the power cord. This may damage the power cord or power socket. Unplug the power cord by gently pulling the power plug.
- Do not place heavy items on the power cord. Make sure the power cord does not hang over the edge of a table, and that it does not touch hot surfaces.

Toaster

STS 6070GG-NAA1 / STS 6071GR-NAA1 / STS 6072BL-NAA1 / STS 6073VT-NAA1 / STS 6074RD-NAA1
STS 6075RS-NAA1 / STS 6076GD-NAA1 / STS 6077CH-NAA1 / STS 6078BK-NAA1

- Do not use the appliance if it has a damaged power cord or plug. If the power cord or plug is damaged, have it replaced at a professional service center.
- Do not use the appliance if it has malfunctioned, if it has fallen on the floor, if it has been immersed in water, shows visible signs of damage, or has been damaged in any way. Return the appliance to the nearest authorized service facility for inspection, repair, or adjustment.
- To prevent injury by electric shock, do not repair or modify the appliance yourself. All repairs should be made by an authorized service center. Tampering with the appliance voids warranty claims and legal rights due to unsatisfactory performance.
- Use of accessories not recommended by the manufacturer may cause fire, electric shock or injury.
- Before first use, the appliance must be started empty at least three times at the maximum browning level to remove any potential odors.
- Oversize foods, metal foil packages, or utensils must not be inserted in a toaster, because they may cause fire or electric shock.
- A fire may occur if toasters are covered or touching flammable material, including curtains, draperies, walls, and the like, when in operation.
- Do not attempt to dislodge food when toaster is plugged in.

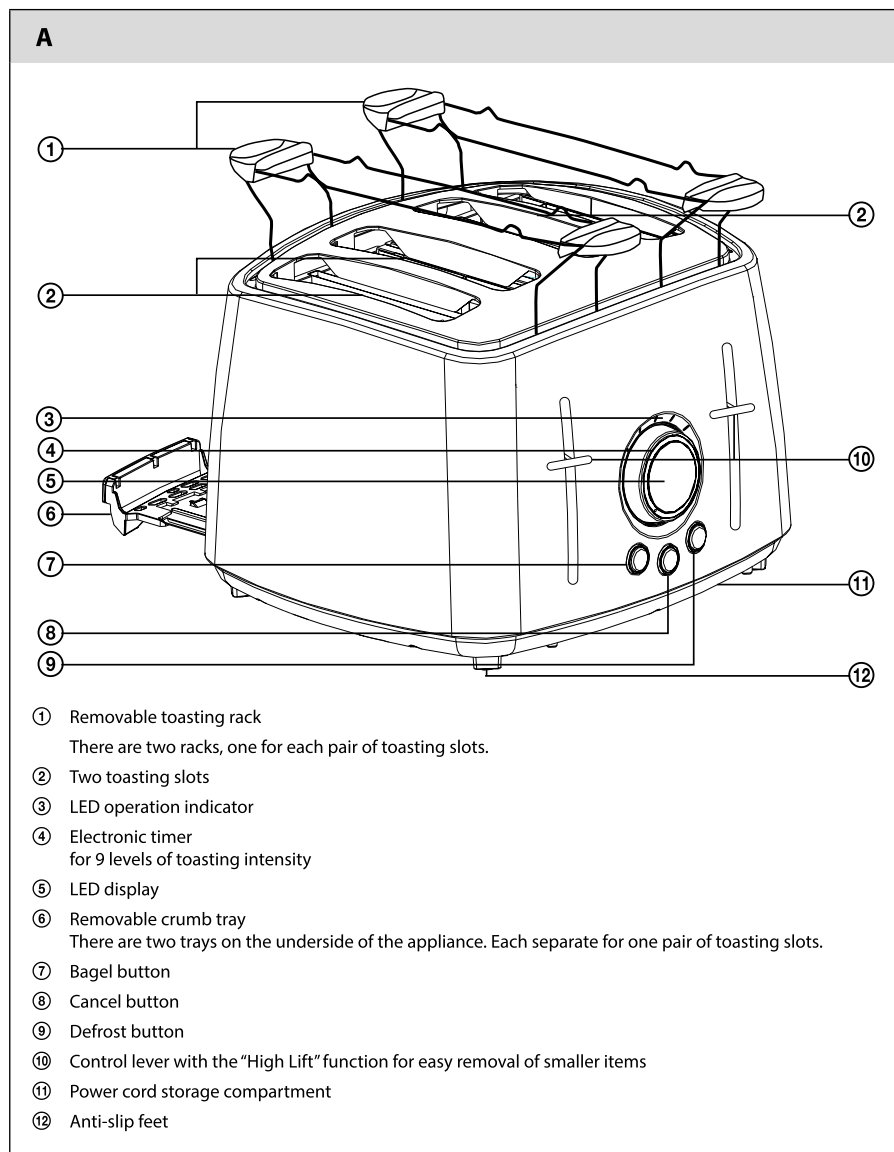
**THIS APPLIANCE IS INTENDED FOR
HOUSEHOLD USE ONLY.
SAVE THESE INSTRUCTIONS.**

Toaster

STS 6070GG-NAA1 / STS 6071GR-NAA1 / STS 6072BL-NAA1 / STS 6073VT-NAA1 / STS 6074RD-NAA1
STS 6075RS-NAA1 / STS 6076GD-NAA1 / STS 6077CH-NAA1 / STS 6078BK-NAA1

EN

DESCRIPTION OF THE APPLIANCE



Toaster

STS 6070GG-NAA1 / STS 6071GR-NAA1 / STS 6072BL-NAA1 / STS 6073VT-NAA1 / STS 6074RD-NAA1
STS 6075RS-NAA1 / STS 6076GD-NAA1 / STS 6077CH-NAA1 / STS 6078BK-NAA1

BEFORE FIRST USE

- Before first use, take the appliance and its accessories out of the packaging material and remove all promotional labels and stickers from it.
- Wash the toasting rack A① using warm water and a neutral kitchen detergent. Then rinse it under running water and dry it thoroughly with a wiping cloth.



Attention:

Make sure that the toasting rack A① is completely dry before placing it on the toaster.

- Before first use, to remove any potential odors. The toaster must be started empty at least three times at the maximum toasting intensity.

OPERATING THE APPLIANCE

- Place the toaster on an even, dry, stable surface at an adequate distance from surfaces of flammable materials as described in the Safety Instructions chapter.
- Fully unwind the power cord and connect the toaster to a power socket. When not using the toasting rack A①, remove it. Insert one piece of sandwich bread, slice of standard bread, half a bun or bagel, etc. into each slot A②. The bread slices must not be thick enough to jam the slots A② and must not extend out of the toaster when the control lever A⑩ is locked in the lower position.



Attention:

Do not place items spread with butter, margarine, etc. into the toaster.

- Use the electronic timer A④ to set the toasting intensity in the range from 1 to 9. Low toasting intensity corresponds to levels 1 and 3. For medium toasting intensity, set the level to 4 to 6, and for high toasting intensity, set the level to 7 to 9. Upon first use, it is recommended to set the toasting intensity to level 4 or 5. To toast another item, you can then choose a different toasting intensity level depending on the type of bread and your taste preference.
- Start the toaster by pushing down the control lever A⑩. The toasting process will automatically start when the control lever A⑩ is locked in the lower position. Button A⑧ will light up, the LED operating indicators A③ will light up, and the set toasting intensity level will appear on the display A⑤. The LED indicators A③ will gradually turn off during operation.



Note:

Unless the toaster is connected to a power socket, the control lever A⑩ will not lock in the lower position, and the toaster will not start.

The toasting process can be stopped at any time during operation by pressing button A⑧.

- The toaster will turn off automatically and raise the inserted bread product as soon as the toasting process is complete. The display A⑤, LED indicators A③ and the backlight of button A⑧ will turn off. To toast more items, remove the toast from the toaster and repeat the procedure described above.



Note:

The control lever A⑩ is equipped with a "High Lift" function that lifts the item all the way up. This makes it easier to take out smaller items.



Attention:

Never try to take out a jammed piece of bread or any other product using a knife or other metal object. This can cause injury by electrical shock or damage the appliance. If items become jammed inside the toaster, turn it off, unplug it and allow it to cool down. Then carefully remove the items.

- After using the toaster, unplug it and allow it to cool down.

Toaster

STS 6070GG-NAA1 / STS 6071GR-NAA1 / STS 6072BL-NAA1 / STS 6073VT-NAA1 / STS 6074RD-NAA1
STS 6075RS-NAA1 / STS 6076GD-NAA1 / STS 6077CH-NAA1 / STS 6078BK-NAA1

EN

Bagel function

- The bagel function adds extra time to the toasting cycle to toast bagels or thicker slices of bread.
- Insert half a bagel or thicker slice of bread into each of the toasting slots A② and set the desired browning level using the browning control dial A④. Push the control lever A⑩ down until it locks in position. Press the BAGEL button A⑦. The button A⑦ will be on. The toaster will automatically eject the bagel or toast once the toasting process is completed.



Note:

Toasting can be interrupted at any time by pressing the STOP button A⑧.

Function for toasting frozen bread items

- Insert frozen items into the slots A② and set the desired toasting level. Push the control lever A⑩ down until it locks in the lower position. Button A⑧ will light up, the LED operating indicators A③ will light up, and the set toasting intensity level will appear on the display A⑤.
- To toast frozen items, press button A⑨. Button A⑨ will light up and the “toast frozen items” mode will start. In the first phase, the frozen items are defrosted, in the second phase they are toasted. The LED indicators A③ will gradually turn off during operation.
- The toaster will automatically raise the inserted items at the end of the toasting process. The display A⑤, LED indicators A③ and the button backlights will turn off.



Note:

The “toast frozen items” process can be interrupted at any time by pressing button A⑧.



Note:

The “bagel toast” function and the “toast frozen items” function cannot be set simultaneously.

Warming rack

- Place the rack A① on to the toaster as shown in figure A and place the item (small baguette, bread roll or bun) that you wish to toast on to it. Set a low toasting intensity in the range from 1 to 3 and push the control lever A⑩ down until it locks in the lower position. The toasting process will start automatically. Button A⑧ will light up, the LED operating indicators A③ will light up, and the set toasting intensity level will appear on the display A⑤. The LED indicators A③ will gradually turn off during operation.
- Wait until the toasting process finishes automatically or press button A⑧ at the moment when the item is sufficiently toasted. If the item is not sufficiently toasted even after the process has finished, repeat the toasting process.
- When removing an item from the rack A①, be especially careful not to touch the hot parts.

TIPS AND ADVICE FOR SETTING TOASTING INTENSITY

- The toasting process occurs in two phases. In the first phase, moisture is evaporated from the item followed by toasting in the second phase.
- The toasting level depends on the type, size and freshness of the item.
- Fresh bread will toast longer because first the moisture contained in it needs to be evaporated and only then can actual toasting begin. Therefore, it requires a higher toasting intensity to be set. Whole grain bread, thicker bread slices, halved buns and bagels, likewise require a higher toasting intensity to be set.
- Older bread that does not contain as much moisture as fresh bread will toast for a shorter period and will therefore require a lower toasting intensity level than usual.
- Smaller and thinner bread slices will toast faster than larger and thicker bread slices.
- When toasting only a single bread slice, set a lower toasting intensity level than when toasting two bread slices at the same time.

Toaster

STS 6070GG-NAA1 / STS 6071GR-NAA1 / STS 6072BL-NAA1 / STS 6073VT-NAA1 / STS 6074RD-NAA1
STS 6075RS-NAA1 / STS 6076GD-NAA1 / STS 6077CH-NAA1 / STS 6078BK-NAA1

CLEANING AND MAINTENANCE

- Clean the toaster after every use. Before cleaning it, make sure that it is unplugged and that it has cooled down.
- Use one finger to press the crumb tray A[Ⓢ] toward the toaster. This will release the crumb tray A[Ⓢ], enabling it to be taken out. Pull the crumb tray A[Ⓢ] out of the toaster. Tip out the crumbs, wipe it with a clean, dry cloth and put it back in its place. Clean the crumb tray A[Ⓢ] regularly. Make sure that crumbs do not accumulate inside. Otherwise they may catch on fire.
- To remove crumbs from inside the toaster, turn the toaster upside down and carefully shake out the crumbs over a wastebasket.
- Wipe the outer surface of the toaster with a dry or slightly damp cloth and then thoroughly wipe dry. Make sure that no water or moisture gets inside the toaster.
- Do not use cleaning products causing abrasion, gasoline (petrol), solvents, etc. to clean the toaster.
- To prevent injury by electrical shock, do not submerge this appliance or its power cord in water or in any other liquid.

TECHNICAL SPECIFICATIONS

Nominal voltage 120V
Nominal frequency 60Hz
Rated power 1600W

We reserve the right to change the text and technical specifications.